

LiftMaster®

POWERED BY myQ®



Wi-Fi® LED Garage Door Opener USER'S GUIDE

Models 84501, 84602, 84505R, 87504-267, 87802

FOR RESIDENTIAL USE ONLY

- Please read this guide and the enclosed safety materials carefully!
- The door WILL NOT CLOSE unless the Protector System® is connected and properly aligned.
- Periodic checks of the garage door opener are required to ensure safe operation.
- This garage door opener is ONLY compatible with myQ® and Security+ 2.0® accessories.
- DO NOT install on a one-piece door if using devices or features providing unattended close. Unattended devices and features are to be used ONLY with sectional doors.
- Attach warning labels to the location indicated on label.

Download the myQ® App to Set Up an Account and Connect

Open and close your door, get alerts and set schedules from anywhere. Connected smart garage door openers also receive software updates to ensure the opener has the latest operational features. See page 6.

To register your garage door opener to receive updates and offers from LiftMaster, visit liftmaster.registria.com or use the icon below:



1. **Take a photo** of the camera icon including the points (●).
2. **Send it in** by texting the photo to 71403 (US) or visit www.liftmaster.photo (Global).



Contents

| | |
|---|-----------|
| Unattended Operation | 2 |
| Important Installation Instructions | 3 |
| Power | 3 |
| Important Safety Instructions | 4 |
| Connect With Your Smartphone | 5 |
| Test the Wi-Fi® Signal Strength | 5 |
| Programming | 7 |
| Remote Control | 7 |
| Wireless Keyless Entry | 7 |
| HomeLink® | 7 |
| To Erase the Memory | 7 |
| Camera | 8 |
| Set Up the Camera | 8 |
| Operation | 9 |
| To Open the Door Manually | 9 |
| Battery Backup | 9 |
| Door Controls | 10 |
| Automatic Garage Door Lock | 10 |
| The Protector System® (Safety Reversing Sensors) | 11 |
| Adjustment | 12 |
| Introduction | 12 |
| Adjustment | 13 |
| 1 - Program the Travel | 13 |
| 2 - Automatic Force Set Up | 13 |
| 3 - Test the Safety Reversal System | 14 |
| 4 - Test the Protector System® | 14 |
| Maintenance | 15 |
| Troubleshooting | 15 |
| Automatic Garage Door Opener Safety & Maintenance Guide .. | 16 |
| Repair Parts | 20 |
| Warranty | 20 |

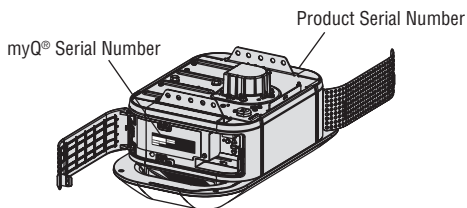
myQ® Serial Number

Write down the following information for future reference:

myQ® Serial Number:

Product Serial Number:

Date of Purchase:

 / /


Safety Symbol and Signal Word Review

This garage door opener has been designed and tested to offer safe service provided it is installed, operated, maintained and tested in strict accordance with the instructions and warnings contained in this manual.

When you see these Safety Symbols and Signal Words on the following pages, they will alert you to the possibility of **serious injury or death** if you do not comply with the warnings that accompany them. The hazard may come from something mechanical or from electric shock. Read the warnings carefully.



WARNING

Mechanical



WARNING

Electrical

When you see this Signal Word on the following pages, it will alert you to the possibility of damage to your garage door and/or the garage door opener if you do not comply with the cautionary statements that accompany it. Read them carefully.



CAUTION



WARNING: This product can expose you to chemicals including lead, which are known to the State of California to cause cancer or birth defects or other reproductive harm. For more information go to www.P65Warnings.ca.gov

Unattended Operation

The Timer-to-Close (TTC) feature, the myQ® App, and myQ® Garage Door and Gate Monitor are examples of unattended close and are to be used **ONLY** with sectional doors. Any device or feature that allows the door to close without being in the line of sight of the door is considered unattended close. The Timer-to-Close (TTC) feature, the myQ® App, and any other myQ® devices are to be used **ONLY** with sectional doors.

Important Installation Instructions

IMPORTANT INSTALLATION INSTRUCTIONS

WARNING

To reduce the risk of SEVERE INJURY or DEATH:

1. READ AND FOLLOW ALL INSTALLATION WARNINGS AND INSTRUCTIONS.
2. Install garage door opener ONLY on properly balanced and lubricated garage door. An improperly balanced door may NOT reverse when required and could result in SEVERE INJURY or DEATH.
3. ALL repairs to cables, spring assemblies and other hardware MUST be made by a trained door systems technician BEFORE installing opener.
4. Disable ALL locks and remove ALL ropes connected to garage door BEFORE installing opener to avoid entanglement.
5. Where possible, install the door opener 7 feet (2.13 m) or more above the floor.
6. Mount the emergency release within reach, but at least 6 feet (1.83 m) above the floor and avoiding contact with vehicles to avoid accidental release.
7. NEVER connect garage door opener to power source until instructed to do so.
8. NEVER wear watches, rings or loose clothing while installing or servicing opener. They could be caught in garage door or opener mechanisms.
9. Install wall-mounted garage door control:
 - within sight of the garage door.
 - out of reach of small children at a minimum height of 5 feet (1.5 m) above floors, landings, steps or any other adjacent walking surface.
 - away from ALL moving parts of the door.
10. Place entrapment warning label on wall next to garage door control.
11. Place manual release/safety reverse test label in plain view on inside of garage door.
12. Upon completion of installation, test safety reversal system. Door MUST reverse on contact with a 1-1/2" (3.8 cm) high object (or a 2x4 laid flat) on the floor.
13. To avoid SERIOUS PERSONAL INJURY or DEATH from electrocution, disconnect ALL electric and battery power BEFORE performing ANY service or maintenance. DO NOT install on a one-piece door if using devices or features providing unattended close. Unattended devices and features are to be used ONLY with sectional doors.

15. **SAVE THESE INSTRUCTIONS.**

Power

To prevent possible SERIOUS INJURY or DEATH from electrocution or fire:

- Be sure power is NOT connected to the opener, and disconnect power to circuit BEFORE removing cover to establish permanent wiring connection.
- Garage door installation and wiring MUST be in compliance with ALL local electrical and building codes.
- NEVER use an extension cord, 2-wire adapter, or change plug in ANY way to make it fit outlet. Be sure the opener is grounded.

To reduce the risk of electric shock, your garage door opener has a grounding type plug with a third grounding pin. This plug will only fit into a grounding type outlet. If the plug doesn't fit into your outlet, contact a qualified electrician to install the proper outlet.

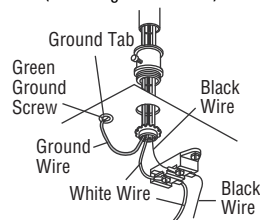
Option A - Typical Wiring

1. Plug in the garage door opener into a grounded outlet.
2. DO NOT run garage door opener at this time.

Option B - Permanent Wiring

If permanent wiring is required by your local code, refer to the following procedure. To make a permanent connection through the 7/8 inch hole in the top of the motor unit (according to local code):

1. Remove the motor unit cover screws and set the cover aside.
2. Remove the attached 3-prong cord.
3. Connect the black (line) wire to the screw on the brass terminal; the white (neutral) wire to the screw on the silver terminal; and the ground wire to the green ground screw. **The opener must be grounded.**
4. Reinstall the cover.



Important Safety Instructions

IMPORTANT SAFETY INSTRUCTIONS



To reduce the risk of SEVERE INJURY or DEATH:

1. READ AND FOLLOW ALL WARNINGS AND INSTRUCTIONS.
2. ALWAYS keep remote controls out of reach of children. NEVER permit children to operate or play with garage door control push buttons or remote controls.
3. ONLY activate garage door when it can be seen clearly, it is properly adjusted, and there are no obstructions to door travel.
4. ALWAYS keep garage door in sight and away from people and objects until completely closed. NO ONE SHOULD CROSS THE PATH OF THE MOVING DOOR.
5. NO ONE SHOULD GO UNDER A STOPPED, PARTIALLY OPENED DOOR.
6. If possible, use emergency release handle to disengage trolley ONLY when garage door is CLOSED. Use caution when using this release with the door open. Weak or broken springs or unbalanced door could result in an open door falling rapidly and/or unexpectedly and increasing the risk of SEVERE INJURY or DEATH.
7. NEVER use emergency release handle unless garage doorway is clear of persons and obstructions.
8. NEVER use handle to pull garage door open or closed. If rope knot becomes untied, you could fall.
9. After ANY adjustments are made, the safety reversal system MUST be tested.
10. ALWAYS KEEP GARAGE DOOR PROPERLY BALANCED. An improperly balanced door may NOT reverse when required and could result in SEVERE INJURY or DEATH.
11. ALL repairs to cables, spring assemblies and other hardware, ALL of which are under EXTREME tension, MUST be made by a trained door systems technician.
12. To avoid interference with the proper operation of the garage door opener when using a welder in the garage, unplug garage door opener before operating welder.
13. To avoid SERIOUS PERSONAL INJURY or DEATH from electrocution, disconnect ALL electric and battery power BEFORE performing ANY service or maintenance.
14. This operator system is equipped with an unattended operation feature. The door could move unexpectedly. NO ONE SHOULD CROSS THE PATH OF THE MOVING DOOR.
15. DO NOT install on a one-piece door if using devices or features providing unattended close. Unattended devices and features are to be used ONLY with sectional doors.
16. **SAVE THESE INSTRUCTIONS.**

NOTICE: This device complies with part 15 of the FCC rules and Innovation, Science and Economic Development Canada license-exempt RSSs. Operation is subject to the following two conditions: (1) this device may not cause harmful interference, and (2) this device must accept any interference received, including interference that may cause undesired operation.

Any changes or modifications not expressly approved by the party responsible for compliance could void the user's authority to operate the equipment.

This device must be installed to ensure a minimum 20 cm (8 in.) distance is maintained between users/bystanders and device.

This device has been tested and found to comply with the limits for a Class B digital device, pursuant to part 15 of the FCC rules and Industry Canada ICES standard.

These limits are designed to provide reasonable protection against harmful interference in a residential installation. This equipment generates, uses and can radiate radio frequency energy and, if not installed and used in accordance with the instructions, may cause harmful interference to radio communications. However, there is no guarantee that interference will not occur in a particular installation. If this equipment does cause harmful interference to radio or television reception, which can be determined by turning the equipment off and on, the user is encouraged to try to correct the interference by one or more of the following measures:

- Reorient or relocate the receiving antenna.
- Increase the separation between the equipment and receiver.
- Connect the equipment into an outlet on a circuit different from that to which the receiver is connected.
- Consult the dealer or an experienced radio/TV technician for help.

Connect With Your Smartphone

You will need:

- Wi-Fi® enabled smartphone, tablet or laptop
- Broadband Internet Connection
- Wi-Fi® signal in the garage (**2.4 GHz, 802.11b/g/n required**)
- Password for your home network (router's main account, not guest network)

Test the Wi-Fi® Signal Strength

Make sure your mobile device is connected to your Wi-Fi® network. Hold your mobile device in the place where your garage door opener is installed and check the Wi-Fi signal strength.



Check Signal Strength. If you see:



Wi-Fi signal is strong.
The garage door opener will connect to your Wi-Fi network.



Wi-Fi signal is weak.
The garage door opener may connect to your Wi-Fi network. If not, try one of the options below to improve the Wi-Fi signal:



No Wi-Fi signal.
The garage door opener will not be able to connect to your Wi-Fi network. Try one of the options below to improve the Wi-Fi signal:

- Move your router closer to the garage door opener to minimize interference from walls and other objects
- Buy a Wi-Fi range extender

For compatible router specifications and help, visit support.chamberlaingroup.com.

Connect With Your Smartphone

Download the myQ® App to Set Up an Account and Connect

Open and close your door, get alerts and set schedules from anywhere. Connected smart garage door openers also receive software updates to ensure the opener has the latest operational features.

The garage door opener must run through a complete cycle before it will activate Wi-Fi® programming.

1. Download the myQ® App.
2. Set up an account and connect.

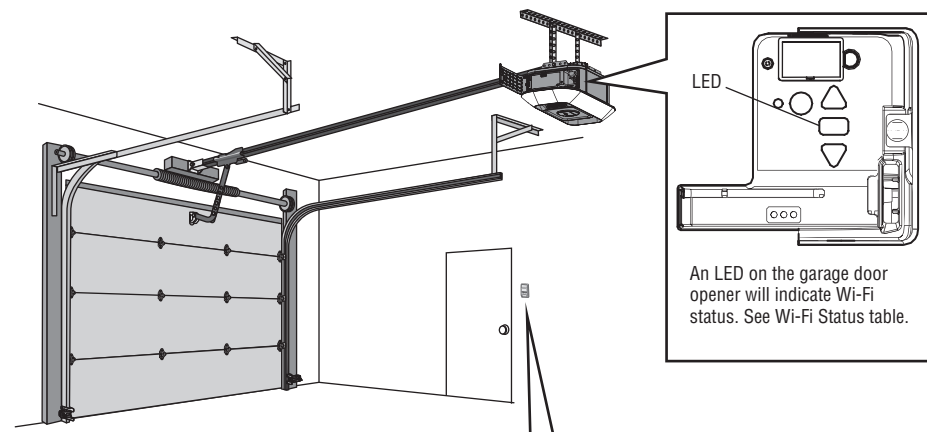
If you already have the myQ® App installed:

1. Check that your mobile device has the latest software.
2. Download the latest version of the myQ® App.



For more information on connecting your garage door opener, visit support.chamberlaingroup.com.

| Wi-Fi Status | |
|----------------|---|
| LED | Definition |
| Blue | Off - Wi-Fi® is not turned on. Blinking - Garage door opener is in Wi-Fi® learn mode. Solid - Mobile device connected to the garage door opener. |
| Blue and Green | Blinking - Attempting to connect to router. |
| Green | Blinking - Attempting to connect to the Internet server. Solid - Wi-Fi® has been set up and garage door opener is connected to the Internet. |



An LED on the garage door opener will indicate Wi-Fi status. See Wi-Fi Status table.

Navigation Buttons

To stop the Smart Control Panel LCD from displaying "CONNECT myQ APP":
On the Smart Control Panel®, press MENU, select PROGRAM and press , press BACK, then press EXIT to return to the main screen.

NOTE: Smart Control Panel® comes with models 87504-267, 84505R, and 87802

Google Play and the Google Play logo are trademarks of Google LLC.
App Store and the Apple and App Store logos are trademarks of Apple Inc.

Programming

Remote Control

Pre-programmed remote control included, no need to program the remote.

To add or reprogram a remote control, follow the instructions below.

Program Using the Garage Door Opener LEARN Button

1. Press and release the LEARN Button on the garage door opener.
2. Press and hold the button on the remote control that you wish to use. Release the button when the garage door opener lights blink or two clicks are heard.

Program Using the Smart Control Panel®

Select Menu > Program > Remote and follow the on screen prompts.

Program Using the Multi-Function or Motion-Detecting Control Panel

1. Press the LEARN button on the door control to enter programming mode.
2. Press the LEARN button again, the command LED will flash once.
3. Press the button on the remote control that you wish to operate your garage door.

Wireless Keyless Entry

Refer to the instructions provided with your keyless entry OR go to LiftMaster.com to download instructions.

HomeLink®

If your vehicle is equipped with HomeLink®, a Compatibility Bridge™ (not included) may be necessary for certain vehicles. Visit bridge.liftmaster.com to find out if a Bridge is needed.

To Erase the Memory

Erase ALL Remote Controls and Keyless Entries

Press and hold the LEARN button until the LED goes out (approximately 6 seconds).

All remote controls and keyless entries are now erased.

Erase ALL Devices (Including myQ® enabled accessories)

1. Press and hold the LEARN button until the LED goes out (approximately 6 seconds).
2. Immediately press and hold the LEARN button until the LED goes out. All codes are now erased.

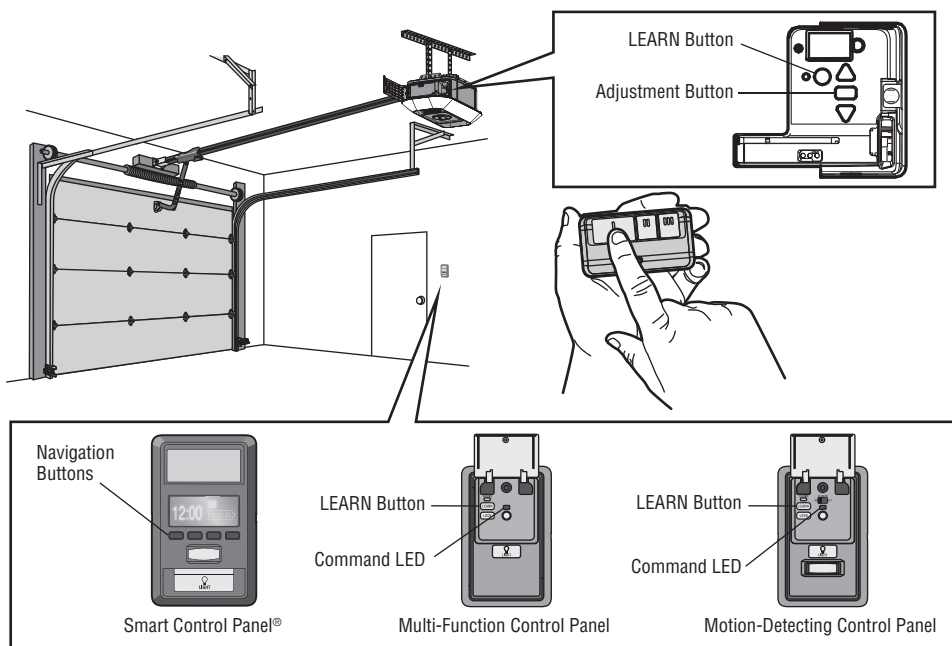
Erase the Wi-Fi Network from the Garage Door Opener

Press and hold the adjustment button until 3 beeps are heard (approximately 6 seconds).

Erase the Camera Settings - Models 84505R and 87504-267

Press and hold the reset button on the side of the camera for 10 seconds. The LED light will turn off, then flash red.

You will need to set up your camera again after resetting it.



Camera

Set Up the Camera

Models 84505R and 87504-267 Only

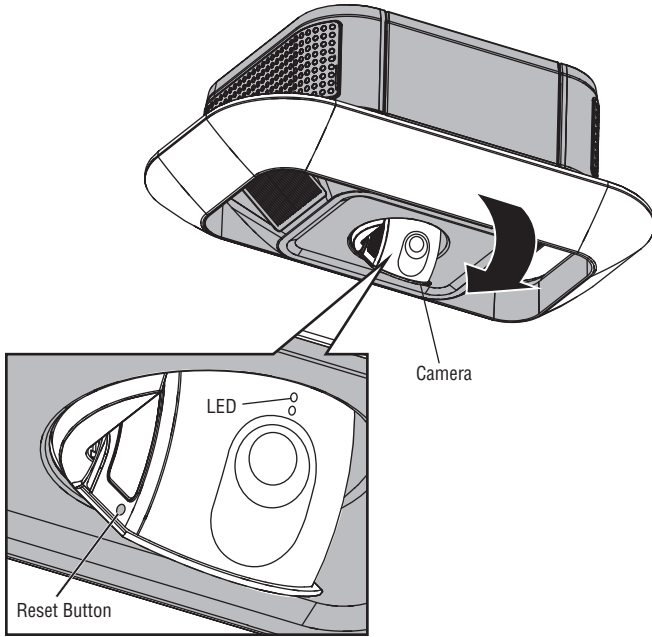
1. Download the myQ® app and setup your account if you haven't already, see page 6.
2. Follow the instructions in the app to setup and use the camera.

The camera powers up when it is opened and powers down when closed. An LED on the camera indicates the status. See the camera status table.

For more information on using the camera, visit support.chamberlaingroup.com.

NOTES:

*myQ® App control and camera WILL NOT work if the garage door opener is operating on battery power.
To erase the camera settings from the opener, see 7.*



| Camera Status | |
|-------------------------|---|
| LED | Definition |
| Flashing Blue | Camera is attempting to connect to the mobile device. |
| Solid Blue | Camera is connected to the mobile device. |
| Flashing Blue and Green | Camera is attempting to connect to the router. |
| Flashing Green | Camera is connected to the router and attempting to connect to myQ® server. |
| Solid Green | Camera is connected and working normally. |
| Solid White | Camera is powering up. |
| Flashing Red | Camera is overheating. |
| Flashing Purple | Camera firmware is updating. |

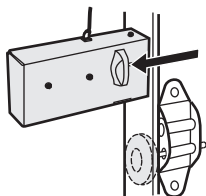
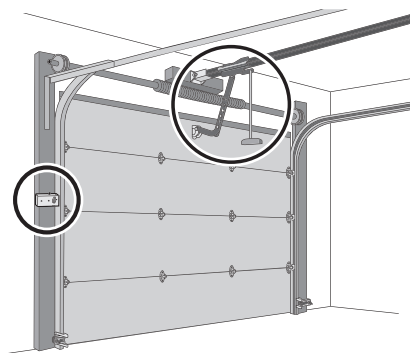
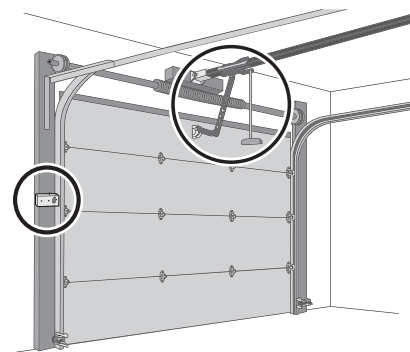
Operation

To Open the Door Manually

WARNING

To prevent possible **SERIOUS INJURY** or **DEATH** from a falling garage door:

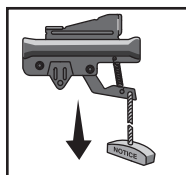
- If possible, use emergency release handle to disengage trolley **ONLY** when garage door is **CLOSED**. Weak or broken springs or unbalanced door could result in an open door falling rapidly and/or unexpectedly.
- **NEVER** use emergency release handle unless garage doorway is clear of persons and obstructions.
- **NEVER** use handle to pull door open or closed. If rope knot becomes untied, you could fall.



Model 87802 Only
Disengage automatic garage door lock before opening door manually (if installed).

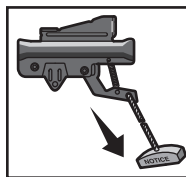
NOTE: Disengage any door locks before proceeding.

1. The door should be fully closed if possible.
2. Pull down on the emergency release handle.



Lockout Feature

1. Pull the emergency release handle down and back. The door can then be raised and lowered manually as often as necessary.
2. To disengage the lockout feature, pull the handle straight down.



The trolley will reconnect on the next time the opener is activated.

Battery Backup

Models 84602, 87504R-267, and 87802

The battery backup allows access in and out of your garage when the power is out. When the garage door opener is operating on battery power, the garage door opener will run slower and the lights, Timer-to-Close, and remote close features (myQ® App) are disabled. In battery backup mode, the Automatic Garage Door Lock will unlock when the garage door is opened, and will remain disabled until power is restored. During a power outage the battery supplies power for up to 24 hours of operation. For maximum battery life and prevent damage, disconnect the battery when the garage door opener is unplugged for an extended period of time.

Green battery status LED: All systems are normal.

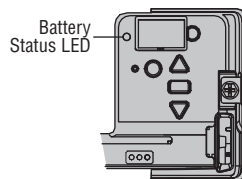
- A solid green LED light indicates the battery is fully charged.
- A flashing green LED indicates the battery is being charged.

Orange battery status LED: The garage door opener has lost power and is in battery backup mode.

- Solid orange LED while the motor is on, indicates the garage door opener is operating on battery power.
- A flashing orange LED while the motor is on, indicates the battery is low.

Red battery status LED: The garage door opener's 12V battery needs to be replaced.

- A solid red LED indicates the 12V battery will no longer hold a charge.



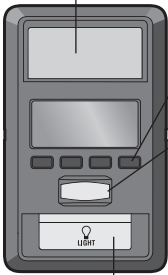
Operation

Door Controls

Smart Control Panel® 880LMW - Models 87504-267 and 87802

Push Bar:

Open/Close garage door.




Light Button

Navigation Buttons:

Access menu:
Clock Setup, Timer-to-Close, Lock, Program, Temperature, Language, Light Settings, Contrast Adjust, Maintenance Alert System, and Wi-Fi Setup.

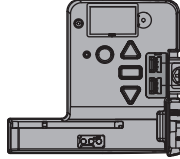
Motion Sensor

Tip: To stop the Smart Control Panel LCD from displaying "CONNECT myQ APP":
On the Smart Control Panel®, press MENU, select PROGRAM and press , press BACK, then press EXIT to return to the main screen.

Automatic Garage Door Lock

Model 87802 Only

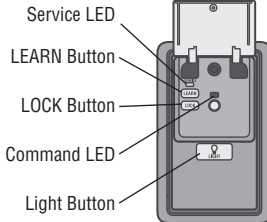
Model 87802 is compatible with the Automatic Garage Door Lock (Model 841LM). **NOTE:** In battery backup mode, the Automatic Garage Door Lock will unlock when the garage door is opened, and will remain disabled until power is restored. The lock will remain disabled when power is restored until the openers completes a cycle and reaches close limit again.



Lock terminals

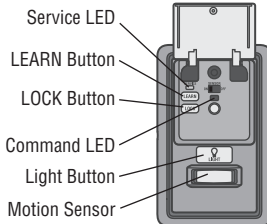
Multi-Function Control Panel 882LMW - Models 84501 and 84505R

Push Bar



Motion-Detecting Control Panel 886LMW - Model 84602

Push Bar



Operation

The Protector System®(Safety Reversing Sensors)



WARNING

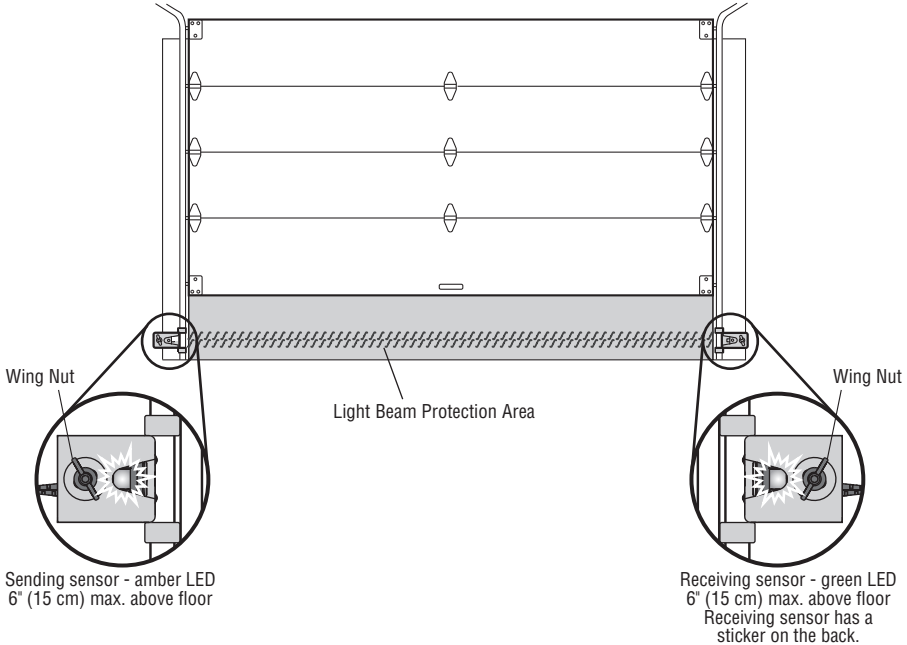
Be sure power is NOT connected to the garage door opener BEFORE installing the safety reversing sensor.
To prevent SERIOUS INJURY or DEATH from closing garage door:

- Correctly connect and align the safety reversing sensor. This required safety device MUST NOT be disabled.
- Install the safety reversing sensor so beam is NO HIGHER than 6" (15 cm) above garage floor.

The door will not close if the sensors have not been installed and aligned correctly.

When the light beam is obstructed or misaligned while the door is closing, the door will reverse. If the door is already open, it will not close.

The sensors can be aligned by loosening the wing nuts, aligning the sensors, and tightening the wing nuts. Check to make sure the LEDs in both sensors are glowing steadily. The LEDs in both sensors will glow steadily if they are aligned and wired correctly.



If either of the sensor LEDs are off, there is no power to the sensor:

1. Check that you have power to the garage door opener.
2. Check the sensor wire is not shorted or broken.
3. Check that the sensors are wired correctly; white wires to white terminal and white/black wires to grey terminal.

If the green receiving sensor LED is blinking, the sensors are obstructed or misaligned:

1. Check for obstructions in the sensor light beam.
2. Align the sensors.
3. If the receiving sensor (green LED) faces direct sunlight, switch the sensors to opposite sides of the door to assure proper operation.

Adjustment

Introduction

WARNING

Without a properly installed safety reversal system, persons (particularly small children) could be **SERIOUSLY INJURED** or **KILLED** by a closing garage door.

- Incorrect adjustment of garage door travel limits will interfere with proper operation of safety reversal system.
- After ANY adjustments are made, the safety reversal system **MUST** be tested. Door **MUST** reverse on contact with 1-1/2" (3.8 cm) high object (or 2x4 laid flat) on floor.

CAUTION

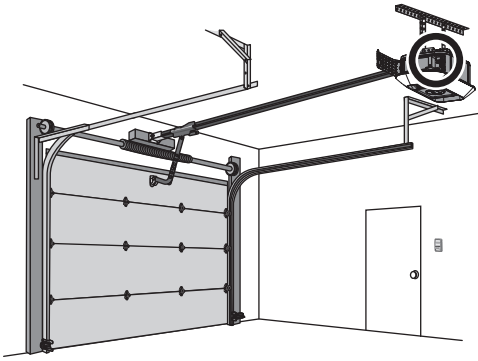
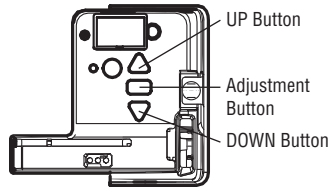
To prevent damage to vehicles, be sure fully open door provides adequate clearance.

Your garage door opener is designed with electronic controls to make setup and adjustments easy. The adjustments allow you to program where the door will stop in the open (UP) and close (DOWN) position. The electronic controls sense the amount of force required to open and close the door. The force is adjusted automatically when you program the travel. While programming the travel, the UP and DOWN buttons can be used to move the door as needed. During the Automatic Force Setup, the door will automatically open and close.

NOTE: If anything interferes with the door's upward travel it will stop. If anything interferes with the door's downward travel, it will reverse.

Programming Buttons

The programming buttons are located on the side panel of the garage door opener and are used to program the travel. While programming, the UP and DOWN buttons can be used to move the door as needed.



Adjustment

1 - Program the Travel

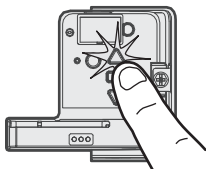
WARNING

Without a properly installed safety reversal system, persons (particularly small children) could be **SERIOUSLY INJURED** or **KILLED** by a closing garage door.

- Incorrect adjustment of garage door travel limits will interfere with proper operation of safety reversal system.
- After ANY adjustments are made, the safety reversal system **MUST** be tested. Door **MUST** reverse on contact with 1-1/2" (3.8 cm) high object (or 2x4 laid flat) on floor.

Note: While programming the travel, the UP and DOWN buttons can be used to move the door as needed. During the Automatic Force Setup, the door will automatically open and close.

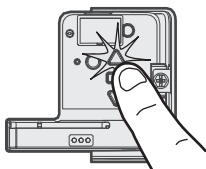
1 Press and hold the Adjustment Button until the UP Button begins to flash and/or a beep is heard. The Safety Reversing Sensors will be disconnected during the Program the Travel process.



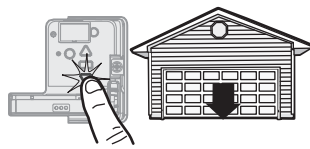
2 Press and hold the UP Button until the door is in the desired UP position.



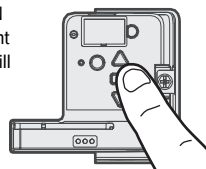
3 Once the door is in the desired UP position press and release the Adjustment Button. The garage door opener lights will flash twice and the DOWN Button will begin to flash.



4 Press and hold the DOWN button until the door is in the desired DOWN position.



5 Once the door is in the desired DOWN position press and release the Adjustment Button. The garage door opener lights will flash twice. Program the Travel is now complete. If the garage door opener lights flash 5 times, then programming has timed out and the Travel Limits have not been set. Please restart the Program the Travel process.



2 - Automatic Force Set Up

Once both the up and down positions have been manually set, the Safety Reversing Sensors will reconnect and become operational. Then, the opener will enter a force-sensing operation by automatically moving the door open and close. The garage door opener will sound an audible and visual alert before automatically opening and closing the door. The garage door opener will beep three times, confirming that the Automatic Force Setup completed successfully. Adjustment is complete.

If you hear one long beep after the door attempts to move, then the Automatic Force Set Up has not completed successfully. Please start over at step 1 of Program the Travel.



Adjustment

3 - Test the Safety Reversal System

WARNING

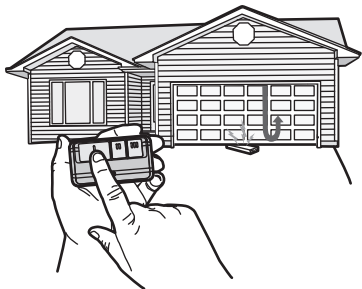
Without a properly installed safety reversal system, persons (particularly small children) could be **SERIOUSLY INJURED** or **KILLED** by a closing garage door.

- Safety reversal system **MUST** be tested every month.
- After **ANY** adjustments are made, the safety reversal system **MUST** be tested. Door **MUST** reverse on contact with 1-1/2" (3.8 cm) high object (or 2x4 laid flat) on the floor.

1 With the door fully open, place a 1-1/2 inch (3.8 cm) board (or a 2x4 laid flat) on the floor, centered under the garage door.



2 Press the remote control push button to close the door. The door **MUST** reverse when it makes contact with the board.



If the door stops but does not reverse:

1. Repeat Program the Travel (see Adjustment Step 1);
2. Repeat the Safety Reversal test.

If the test continues to fail, call a trained door systems technician.

4 - Test the Protector System®

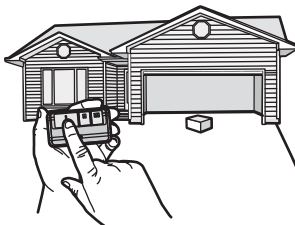
WARNING

Without a properly installed safety reversing sensor, persons (particularly small children) could be **SERIOUSLY INJURED** or **KILLED** by a closing garage door.

1 Open the door. Place an obstruction in the path of the door.



2 Press the remote control push button to close the door. The door will not move more than an inch (2.5 cm).



The garage door opener will not close from a remote control if the LED in either safety reversing sensor is off (alerting you to the fact that the sensor is misaligned or obstructed).

If the garage door opener closes the door when the safety reversing sensor is obstructed (and the sensors are no more than 6 inches [15 cm] above the floor), call for a trained door systems technician.

Maintenance

Every Month

- Manually operate door. If it is unbalanced or binding, call a trained door systems technician.
- Check to be sure door opens and closes fully. Adjust if necessary, page 13.
- Test the safety reversal system. Adjust if necessary, page 1.

Every Year

- Oil door rollers, bearings and hinges. The garage door opener does not require additional lubrication. Do not grease the door tracks.
- (If applicable) Test the battery backup and consider replacing the battery to ensure the garage door opener will operate during an electrical power outage.
 1. Unplug the garage door opener from AC power. The battery status LED will glow solid orange (opener is operating on battery power) or will flash (low battery power).
 2. Open and close the door using the remote control or door control.
 3. In battery backup mode, the Automatic Garage Door Lock will unlock when the garage door is opened, and will remain disabled until power is restored.
 4. Plug in the garage door opener. Verify the battery status LED is flashing green (battery is charging).

The Remote Control Battery



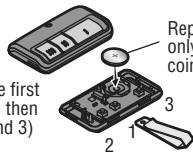
WARNING

To prevent possible SERIOUS INJURY or DEATH:

- NEVER allow small children near batteries.
- If battery is swallowed, immediately notify doctor.

To reduce risk of fire, explosion or chemical burn:

- Replace ONLY with 3V CR2032 coin batteries.
- DO NOT recharge, disassemble, heat above 212°F (100°C) or incinerate.



Pry open the case first in the middle (1), then at each side (2 and 3) with visor clip.

Replace with only 3V CR2032 coin cell battery.

Troubleshooting

Below are basic troubleshooting tips, for additional help and support videos visit support.liftmaster.com or contact your installing dealer.

My garage door opener will not close:

Check to make sure the LEDs in both sensors are glowing steadily. The LEDs in both sensors will glow steadily if they are aligned and wired correctly. See page 1.

My vehicle's Homelink® is not programming to my garage door opener:

Depending on the make, model, and year of your vehicle an external adapter may be required. Visit www.homelink.com for additional information.

My garage door opener beeps:

The garage door opener can beep for several reasons:

- The opener senses an obstruction while traveling.
- Garage door opener has been activated through a device or feature such as Timer-to-Close, garage door monitor or LiftMaster Internet Gateway.

My neighbor's remote control opens my garage door:

Erase the memory from your garage door opener and reprogram the remote control(s).

The garage door moves 6-8", stops or reverses:

- Manually open and close the garage door. Garage door may be binding or there may be an obstruction. If the door is binding, call a trained door systems technician.
- Possible travel module failure.

My remote control will not activate the garage door:

Verify the lock feature is not activated on the door control or reprogram the remote control.

The wall-mounted door control will not function:

The wires for the door control are shorted or the door control is faulty.

Garage door opener hums for 1-2 seconds with no movement and 5 flashes and 5 beeps occur:

Manually open and close the garage door. Garage door may be binding or there may be an obstruction. If the door is binding, call a trained door systems technician.

Cannot connect garage door opener to home Wi-Fi network:

Ensure the myQ® Serial number was entered correctly and try again.

The myQ® characters are between A-F and 0-9 only.

My camera won't connect to the router:

- Move your router closer to the garage door opener to minimize interference from walls and other objects.
- Buy a Wi-Fi range extender.

For issues with the camera, press and hold the reset button on the camera for 10 seconds. Then, follow the myQ® app instructions to set up the camera.

To troubleshoot the optional automatic garage door lock model 841LM, see the instructions provided with it.

Automatic Garage Door Opener Safety & Maintenance Guide

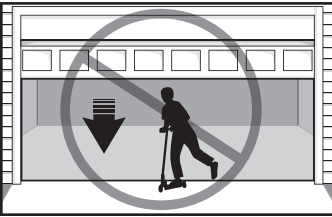
Garage Door Opener Safety – An Automatic Decision

A garage door is the largest moving object in the home. An improperly adjusted garage door and opener can exert deadly force when the door closes – which could lead to entrapment of children or adults and subsequent injury or death.

Proper installation, operation, maintenance, and testing of the garage door and automatic opener are necessary to provide a safe, trouble-free system. Careless operation or allowing children to play with or use garage door opener controls are also dangerous situations that can lead to tragic results. A few simple precautions can protect your family and friends from potential harm. Please review the safety and maintenance tips in this guide carefully and keep it for reference. Check the operation of your garage door and opener to ensure they function in a safe and trouble-free manner. Be sure to read all Important Safety Information found in your garage door opener's manual as it provides more details and safety considerations than can be supplied with this guide.

Garage Door Openers are Not Toys

Discuss garage door and opener safety with your children. Explain the danger of being trapped under the door.



Stay away from a moving door.



Keep transmitters and remote controls out of reach of children. Do not let children play with or use transmitters or other remote control devices.



The wall-mounted push button should be out of reach of children, at least 5 feet from the nearest standing surface and away from all moving parts. Mount and use the button where you can clearly see the closing garage door.



Keep the door in sight until it completely closes when using the wall-mounted push button or transmitter.

Routine Maintenance Can Prevent Tragedies

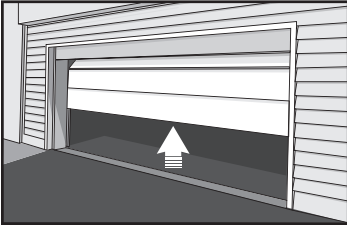
Make monthly inspection and testing of your garage door and opener system a part of your regular routine. Review your owner's manual for both the door and door opener. If you don't have the owner's manuals, contact the manufacturer(s) and request a copy for your specific model(s). Look for the opener model number on the back of the power unit.

 **WARNING – Springs are under high tension. Only qualified individuals should adjust them.**



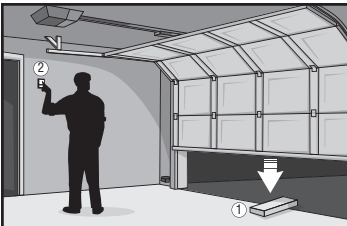
Visually check the door and installation:

- Starting with the door in the closed position, use the manual disconnect on the opener to disconnect the door.
- Look for signs of wear or damage on hinges, rollers, springs, and door panels.
- These parts may require periodic lubrication. Check the owner's manual for suggested maintenance.
- If any signs of damage are evident, contact a trained door systems technician for assistance.
- Verify the photoeye height is no higher than 6" from the garage floor.



Test the door for proper operation:

- Open and close the door manually using handles or suitable gripping points.
- The door should move freely and without difficulty.
- **The door should balance and stay partially open 3-4 feet above the floor.**
- If you detect any signs of improper operation, contact a trained door systems technician for assistance.



Test the opener safety features:

- Reconnect the opener to the door using the manual disconnect and open the door.
- Place a 2x4 board flat in the path of the door (1) and try to close it (2). The door should stop when it comes in contact with the 2x4 and then reverse direction.
- Block the photoelectric sensor by waving an object in front of the sensor and attempt to close the door. The door should not close unless the wall-mounted push button is manually held during operation.
- If the opener does not perform as described, contact a trained door systems technician for assistance.



Repair Parts

To see repair parts for your garage door opener, identify the model number on the end panel of the opener and visit support.chamberlaingroup.com to download or print the installation manual.

Warranty

LIFTMASTER® LIMITED WARRANTY

LiftMaster® ("Seller") warrants to the first retail purchaser of this product, for the residence in which this product is originally installed, that it is free from defects in materials and/or workmanship for a specific period of time as defined below (the "Warranty Period"). The warranty period commences from the date of purchase.

| WARRANTY PERIOD | | | | | | | |
|-----------------|---------|----------|-------------|----------|----------------|----------------|--------|
| Models | Parts | Motor | Accessories | Belt | Battery Backup | Integrated LED | Camera |
| 84501 | 1 year | Lifetime | 1 year | Lifetime | N/A | 1 year | N/A |
| 84602 | 1 year | Lifetime | 1 year | N/A | 1 year | 1 year | N/A |
| 84505R | 1 year | Lifetime | 1 year | Lifetime | N/A | 1 year | 1 year |
| 87504-267 | 5 years | Lifetime | 1 year | Lifetime | 1 year | 5 years | 1 year |
| 87802 | 5 years | Lifetime | 1 year | Lifetime | 1 year | 5 years | N/A |

The proper operation of this product is dependent on your compliance with the instructions regarding installation, operation, and maintenance and testing. Failure to comply strictly with those instructions will void this limited warranty in its entirety.

If, during the limited warranty period, this product appears to contain a defect covered by this limited warranty, visit LiftMaster.com, before dismantling this product. You will be advised of disassembly and shipping instructions. Then send the product or component, pre-paid and insured, as directed to our service center for warranty repair. Please include a brief description of the problem and a dated proof-of-purchase receipt with any product returned for warranty repair. Products returned to Seller for warranty repair, which upon receipt by Seller are confirmed to be defective and covered by this limited warranty, will be repaired or replaced (at Seller's sole option) at no cost to you and returned pre-paid. Defective parts will be repaired or replaced with new or factory-rebuilt parts at Seller's sole option. [You are responsible for any costs incurred in removing and/or reinstalling the product or any component].

ALL IMPLIED WARRANTIES FOR THE PRODUCT, INCLUDING BUT NOT LIMITED TO ANY IMPLIED WARRANTIES OF MERCHANTABILITY AND FITNESS FOR A PARTICULAR PURPOSE, ARE LIMITED IN DURATION TO THE APPLICABLE LIMITED WARRANTY PERIOD SET FORTH ABOVE FOR THE RELATED COMPONENT(S), AND NO IMPLIED WARRANTIES WILL EXIST OR APPLY AFTER SUCH PERIOD. Some States and Provinces do not allow limitations on how long an implied warranty lasts, so the above limitation may not apply to you. THIS LIMITED WARRANTY DOES NOT COVER NON-DEFECT DAMAGE, DAMAGE CAUSED BY IMPROPER INSTALLATION, OPERATION OR CARE (INCLUDING, BUT NOT LIMITED TO ABUSE, MISUSE, FAILURE TO PROVIDE REASONABLE AND NECESSARY MAINTENANCE, UNAUTHORIZED REPAIRS OR ANY ALTERATIONS TO THIS PRODUCT), LABOR CHARGES FOR REINSTALLING A REPAIRED OR REPLACED UNIT, REPLACEMENT OF CONSUMABLE ITEMS (E.G., BATTERIES IN REMOTE CONTROL TRANSMITTERS), OR UNITS INSTALLED FOR NON-RESIDENTIAL USE. THIS LIMITED WARRANTY DOES NOT COVER ANY PROBLEMS WITH, OR RELATING TO, THE GARAGE DOOR OR GARAGE DOOR HARDWARE, INCLUDING BUT NOT LIMITED TO THE DOOR SPRINGS, DOOR ROLLERS, DOOR ALIGNMENT OR HINGES. THIS LIMITED WARRANTY ALSO DOES NOT COVER ANY PROBLEMS CAUSED BY INTERFERENCE. UNDER NO CIRCUMSTANCES SHALL SELLER BE LIABLE FOR CONSEQUENTIAL, INCIDENTAL OR SPECIAL DAMAGES ARISING IN CONNECTION WITH USE, OR INABILITY TO USE, THIS PRODUCT. IN NO EVENT SHALL SELLER'S LIABILITY FOR BREACH OF WARRANTY, BREACH OF CONTRACT, NEGLIGENCE OR STRICT LIABILITY EXCEED THE COST OF THE PRODUCT COVERED HEREBY. NO PERSON IS AUTHORIZED TO ASSUME FOR US ANY OTHER LIABILITY IN CONNECTION WITH THE SALE OF THIS PRODUCT.

Some states and provinces do not allow the exclusion or limitation of consequential, incidental or special damages, so the above limitation or exclusion may not apply to you. This limited warranty gives you specific legal rights, and you may also have other rights, which vary from state to state and province to province.

LiftMaster®

POWERED BY myQ®



Ouvre-porte de garage Wi-Fi® à DEL GUIDE D'UTILISATION

Modèles 84501, 84602, 84505R, 87504-267, 87802

USAGE RÉSIDENTIEL UNIQUEMENT

- Veuillez lire attentivement ce guide et les documents relatifs à la sécurité ci-joints!
- La porte NE SE FERME PAS tant que le Protector System® n'est pas connecté et aligné correctement.
- Des vérifications périodiques de l'ouvre-porte de garage sont nécessaires pour assurer un fonctionnement sûr.
- Cet ouvre-porte de garage est SEULEMENT compatible avec les accessoires myQ® et Security+ 2.0®.
- Ne l'installez PAS sur une porte monobloc si vous utilisez des dispositifs ou des fonctionnalités permettant une fermeture sans surveillance.
Les dispositifs et fonctionnalités sans surveillance doivent être utilisés UNIQUEMENT avec des portes sectionnelles.
- Fixez les étiquettes d'avertissement à l'endroit indiqué sur l'étiquette.

Téléchargez l'application myQ® pour ouvrir un compte et vous connecter

Ouvrez et fermez votre porte, recevez des alertes et définissez des horaires à partir de n'importe où. Les ouvre-portes de garage intelligents connectés reçoivent également des mises à jour logicielles afin de garantir que l'ouvre-porte dispose des dernières fonctionnalités opérationnelles. Voir la page 6.

Pour enregistrer votre ouvre-porte de garage afin de recevoir des mises à jour et des offres de LiftMaster, visitez liftmaster.registria.com ou utilisez l'icône ci-dessous :



1. Prenez une photo de l'icône d'appareil photo incluant les points (●).
2. Envoyez-la par SMS au numéro 71403 (États-Unis) ou en visitant le site www.liftmaster.photo (monde).



Sommaire

| | |
|--|-----------|
| Fonctionnement sans surveillance | 2 |
| Instructions d'installation importantes | 3 |
| Alimentation | 3 |
| Consignes de sécurité importantes | 4 |
| Connectez-vous avec votre téléphone intelligent | 5 |
| Testez la force du signal the Wi-Fi® | 5 |
| Programmation | 7 |
| Télécommande | 7 |
| Entrée sans clé sans fil | 7 |
| HomeLink® | 7 |
| Pour effacer la mémoire | 7 |
| Caméra | 8 |
| Configuration de la caméra | 8 |
| Fonctionnement | 9 |
| Pour ouvrir la porte manuellement | 9 |
| Batterie de secours | 9 |
| Commandes de porte | 10 |
| Serrure automatique de porte de garage | 10 |
| Protector System® (capteurs d'inversion de sécurité) | 11 |
| Réglage | 12 |
| Introduction | 12 |
| Réglage | 13 |
| 1 - Programmez le déplacement | 13 |
| 2 - Réglage de la force automatique | 14 |
| 3 - Testez le système d'inversion de sécurité | 15 |
| 4 - Testez le Protector System® | 15 |
| Maintenance | 16 |
| Dépannage | 16 |
| Guide de sécurité et d'entretien de l'ouvre-porte de garage automatique | 17 |
| Pièces détachées | 21 |
| Garantie | 21 |

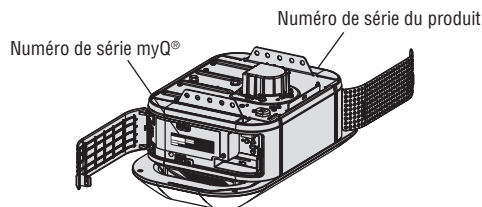
Numéro de série myQ®

Notez les renseignements suivants pour références futures :

Numéro de série myQ® :

Numéro de série du produit :

Date d'achat :



Examen des symboles de sécurité et des notes d'avertissement

Cet ouvre-porte de garage a été conçu et testé pour offrir un service sûr à condition qu'il soit installé, utilisé, entretenu et testé en stricte conformité avec les instructions et les avertissements de ce manuel. Lorsque vous voyez ces symboles de sécurité et notes d'avertissement aux pages suivantes, ils vous avertissent du risque de **blessures graves voire mortelles** si vous ne respectez pas les avertissements qu'ils accompagnent. Le danger peut provenir de quelque chose de mécanique ou d'un choc électrique. Lisez attentivement les avertissements.



AVERTISSEMENT

Mécanique



AVERTISSEMENT

Électrique

Lorsque vous voyez ce mot d'avertissement aux pages suivantes, il vous avertit du risque que votre porte de garage et/ou l'ouvre-porte soit endommagé(e) si vous ne respectez pas les mises en garde qui l'accompagnent. Lisez-les attentivement.



ATTENTION



AVERTISSEMENT : Ce produit peut vous exposer à des produits chimiques, dont le plomb, qui sont reconnus par l'État de Californie comme provoquant le cancer, des malformations congénitales ou d'autres problèmes de

reproduction. Pour plus d'information, visitez www.P65Warnings.ca.gov

Fonctionnement sans surveillance

La fonction de minuterie de fermeture (TTC), l'application myQ® et le moniteur de porte de garage et de portail myQ® sont des exemples de fermeture sans surveillance et doivent être utilisés **UNIQUEMENT** avec des portes sectionnelles. Tout dispositif ou fonction permettant à la porte de se fermer sans être dans le champ de vision de cette dernière est considéré comme une fermeture sans surveillance. La fonction de minuterie de fermeture (TTC), l'application myQ® et tout autre appareil myQ® doivent être utilisés **UNIQUEMENT** avec des portes sectionnelles.

Instructions d'installation importantes

INSTRUCTIONS D'INSTALLATION IMPORTANTES



Pour réduire le risque de BLESSURES GRAVES voire MORTELLES :

1. LISEZ ET SUIVEZ TOUS LES AVERTISSEMENTS ET TOUTES LES INSTRUCTIONS D'INSTALLATION.
2. Installez l'ouvre-porte de garage UNIQUEMENT sur une porte de garage correctement équilibrée et lubrifiée. Une porte mal équilibrée risque de ne PAS s'inverser lorsque cela est nécessaire et pourrait entraîner des BLESSURES GRAVES voire MORTELLES.
3. TOUTES les réparations de câbles, ressorts et autre matériel DOIVENT être effectuées par un technicien en systèmes de portes qualifié AVANT l'installation de l'ouvre-porte.
4. Désactivez TOUS les verrous et retirez TOUTES les cordes connectées à la porte de garage AVANT d'installer l'ouvre-porte pour éviter qu'elles s'enchevêtrent.
5. Dans la mesure du possible, installez l'ouvre-porte à une hauteur minimum de 2,13 m (7 pi) du sol.
6. Montez le déclenchement d'urgence à portée de main, mais à une hauteur minimum de 1,83 m (6 pi) du sol et en évitant tout contact avec les véhicules afin d'éviter un déclenchement accidentel.
7. Ne branchez JAMAIS l'ouvre-porte de garage à une source d'alimentation avant d'y être invité.
8. NE portez JAMAIS de montres, bagues ou vêtements amples en installant ou entretenant l'ouvre-porte. Ils pourraient être happés dans les mécanismes de porte de garage ou d'ouvre-porte.
9. Installez la commande de porte de garage murale :
 - en vue de la porte du garage.
 - hors de portée des jeunes enfants à une hauteur minimale de 1,5 m (5 pi) au-dessus du sol, des paliers, des marches ou de toute autre surface de marche adjacente.
 - loin de TOUTES les pièces mobiles de la porte.
10. Placez une étiquette d'avertissement de piégeage sur le mur, à côté de la commande de porte de garage.
11. Placez l'étiquette de test d'inversion de sécurité/déverrouillage d'urgence bien en vue à l'intérieur de la porte de garage.
12. Une fois l'installation terminée, testez le système d'inversion de sécurité. La porte DOIT s'inverser au contact d'un objet de 3,8 cm (1-1/2 po) de haut (ou un 2x4 posé à plat) sur le sol.
13. Pour éviter des BLESSURES PERSONNELLES GRAVES voire MORTELLES électrocution, débranchez TOUTE l'alimentation électrique et la batterie AVANT d'effectuer tout entretien ou TOUTE maintenance.
14. Ne l'installez PAS sur une porte monobloc si vous utilisez des dispositifs ou des fonctionnalités permettant une fermeture sans surveillance. Les dispositifs et fonctionnalités sans surveillance doivent être utilisés UNIQUEMENT avec des portes sectionnelles.
15. **CONSERVER CES INSTRUCTIONS.**

Alimentation

Pour éviter les risques de BLESSURES GRAVES voire MORTELLES par électrocution ou incendie :

- Assurez-vous que le courant n'est PAS connecté à l'ouvre-porte, et débranchez le courant du circuit AVANT de retirer le couvercle pour établir une connexion permanente.
- L'installation et le câblage de la porte de garage DOIVENT être conformes à TOUS les codes électriques et de construction locaux.
- N'utilisez JAMAIS de rallonge, d'adaptateur à 2 fils ou ne modifiez en AUCUN cas la fiche pour l'adapter à la prise. Assurez-vous que l'ouvre-porte est mis à la terre.

Pour réduire le risque de choc électrique, votre ouvre-porte de garage est équipé d'une fiche de type mise à la terre avec une troisième goupille de mise à la terre. Cette fiche rentre seulement dans une prise de terre. Si la fiche ne rentre pas dans la prise, communiquer avec un électricien qualifié pour faire installer une prise adéquate.

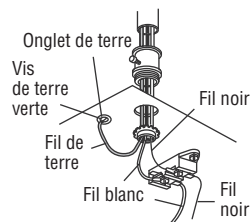
Option A - Câblage typique

1. Branchez l'ouvre-porte de garage dans une prise de courant mise à la terre.
2. Ne faites PAS fonctionner l'ouvre-porte de garage à ce moment-là.

Option B - Câblage permanent

Si un câblage permanent est requis par votre code local, consultez la procédure suivante. Pour effectuer une connexion permanente à travers le trou de 7/8 pouces dans le haut de l'unité moteur (selon le code local) :

1. Retirez les vis du couvercle du bloc moteur et mettez le couvercle de côté.
2. Retirez le cordon à trois broches qui y est attaché.
3. Connectez le fil noir (phase) à la vis de la borne en laiton; le fil blanc (neutre) à la vis de la borne argentée; et le fil de terre à la vis de terre verte. **L'ouvre-porte doit être mis à la terre.**
4. Réinstallez le couvercle.



Consignes de sécurité importantes

CONSIGNES DE SÉCURITÉ IMPORTANTES



Pour réduire le risque de BLESSURES GRAVES voire MORTELLES :

1. LISEZ ET SUIVEZ TOUS LES AVERTISSEMENTS ET TOUTES LES INSTRUCTIONS.
2. Gardez TOUJOURS les télécommandes hors de portée des enfants. Ne permettez JAMAIS aux enfants de manipuler ou de jouer avec les boutons-poussoirs ou les télécommandes de la porte de garage.
3. N'activez la porte du garage QUE lorsqu'elle est bien visible, qu'elle est correctement réglée et qu'il n'y a pas d'obstacles à son déplacement.
4. Gardez TOUJOURS la porte de garage en vue et loin des personnes et des objets jusqu'à ce qu'elle soit complètement fermée. NE TRAVERSEZ JAMAIS LA PORTE LORSQU'ELLE EST EN MOUVEMENT.
5. PERSONNE NE DEVIENDRAIT PASSER SOUS UNE PORTE ARRÊTÉE OU PARTIELLEMENT OUVERTE.
6. Dans la mesure du possible, utilisez UNIQUEMENT la poignée de déclenchement d'urgence pour désengager le chariot lorsque la porte du garage est FERMÉE. Soyez prudent lorsque vous utilisez cette poignée pendant que la porte est ouverte. Des ressorts abîmés ou une porte incorrectement calibrée pourraient entraîner une chute rapide ou inattendue d'une porte ouverte et augmenter le risque de BLESSURE GRAVE ou FATALE.
7. N'utilisez JAMAIS la poignée de déclenchement d'urgence avant que toutes les personnes et les obstacles aient été retirés du trajet qu'elle suivra.
8. N'utilisez JAMAIS la poignée pour ouvrir ou fermer la porte du garage. Si le nœud de la corde se défait, vous risquez de tomber.
9. Après TOUT réglage, le système d'inversion de sécurité DOIT être testé.
10. GARDEZ TOUJOURS LA PORTE DE GARAGE CALIBRÉE CORRECTEMENT. Une porte mal équilibrée risque de ne PAS s'inverser lorsque cela est nécessaire et pourrait entraîner des BLESSURES GRAVES voir MORTELLES.
11. TOUTES les réparations de câbles, ressorts et autre matériel, qui sont TOUS sous une tension EXTRÊME, DOIVENT être effectuées par un technicien en systèmes de portes qualifié.
12. Pour éviter les interférences avec le bon fonctionnement de l'ouvre-porte de garage, lorsque vous utilisez une machine à souder dans le garage, débranchez l'ouvre-porte de garage avant de faire fonctionner la machine à souder.
13. Pour éviter des BLESSURES PERSONNELLES SÉVÈRES ou la MORT par électrocution, débranchez TOUTE l'alimentation électrique et la batterie AVANT d'effectuer tout entretien ou TOUTE maintenance.
14. Ce système de commande est équipé d'une fonction de fonctionnement sans surveillance. La porte pourrait bouger de façon inattendue. NE TRAVERSEZ JAMAIS LA PORTE LORSQU'ELLE EST EN MOUVEMENT.
15. Ne l'installez PAS sur une porte monobloc si vous utilisez des dispositifs ou des fonctionnalités permettant une fermeture sans surveillance. Les dispositifs et fonctionnalités sans surveillance doivent être utilisés UNIQUEMENT avec des portes sectionnelles.
16. **CONSERVER CES INSTRUCTIONS.**

AVIS : Cet appareil est conforme à la partie 15 du règlement de la FCC ainsi qu'avec le CNR exempt de licence d'Innovation, Science et Développement économique Canada. Son utilisation est sujette aux deux conditions suivantes : (1) cet appareil ne doit pas causer d'interférences nuisibles, et (2) cet appareil doit accepter toutes les interférences reçues, y compris les interférences qui peuvent causer le fonctionnement indésirable de l'appareil.

Les modifications ou les changements non expressément approuvés par la partie responsable de la conformité peuvent annuler l'autorité de l'utilisateur à utiliser l'équipement.

Cet appareil doit être installé pour qu'une distance minimum de 8 pouces (20 cm) soit maintenue entre les utilisateurs, les passants et l'appareil.

Cet appareil a été testé et s'est avéré conforme aux limites d'un appareil numérique de classe B selon la partie 15 des règlements de la FCC et des normes ICES d'Industrie Canada. Ces limites ont pour objet de fournir une protection raisonnable contre les interférences nuisibles dans une installation résidentielle. Cet équipement produit, utilise et peut rayonner de l'énergie radiofréquence et, s'il n'est pas installé et utilisé conformément aux instructions, il risque de causer des interférences nuisibles aux communications radio. Toutefois, il n'est pas possible de garantir l'absence d'interférences dans une installation particulière. Si cet équipement cause des interférences nuisibles à la réception radio ou TV, ce qui peut être déterminé en l'éteignant puis en le rallumant, l'utilisateur est invité à essayer de corriger l'interférence en prenant au moins l'une des mesures suivantes :

- Réorienter ou déplacer l'antenne réceptrice.
- Éloignez l'appareil de l'équipement ou du récepteur.
- Branchez l'équipement sur une prise correspondant à un autre circuit que celui sur lequel le récepteur est branché.
- Consultez le revendeur ou un technicien radio/TV.

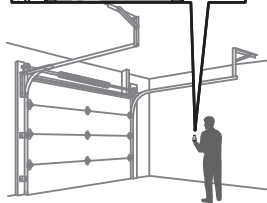
Connectez-vous avec votre téléphone intelligent

Vous aurez besoin :

- Un téléphone intelligent, une tablette ou un ordinateur portable compatible avec le Wi-Fi®
- Connexion Internet à large bande
- Signal Wi-Fi® dans le garage (**2,4 Ghz, 802,11b/g/n requis**)
- Mot de passe pour votre réseau domestique (le compte principal du routeur; pas le réseau invité)

Testez la force du signal the Wi-Fi®

Assurez-vous que votre appareil mobile est connecté à votre réseau Wi-Fi®. Tenez votre appareil mobile à l'endroit où votre ouvre-porte de garage sera installé et vérifiez la force du signal Wi-Fi®.



Vérifiez la force du signal. Si vous voyez ce qui suit :



Le signal Wi-Fi est fort.
L'ouvre-porte de garage se connectera à votre réseau Wi-Fi.



Le signal Wi-Fi est faible.
L'ouvre-porte de garage peut se connecter à votre réseau Wi-Fi. Sinon, essayez une des options ci-dessous pour améliorer le signal Wi-Fi :



Aucun signal Wi-Fi.
L'ouvre-porte de garage ne pourra pas se connecter à votre réseau Wi-Fi. Essayez une des options ci-dessous pour améliorer le signal Wi-Fi :

- Rapprochez votre routeur de l'ouvre-porte de garage pour minimiser les interférences avec les murs et autres objets
- Achetez un prolongateur de portée Wi-Fi

Pour obtenir les caractéristiques techniques des routeurs compatibles et de l'aide, visitez support.chamberlaingroup.com.

Connectez-vous avec votre téléphone intelligent

Téléchargez l'application myQ® pour ouvrir un compte et vous connecter

Ouvrez et fermez votre porte, recevez des alertes et définissez des horaires à partir de n'importe où. Les ouvre-portes de garage intelligents connectés reçoivent également des mises à jour logicielles afin de garantir que l'ouvre-porte dispose des dernières fonctionnalités opérationnelles. L'ouvre-porte de garage doit effectuer un cycle complet avant d'activer la programmation Wi-Fi®.

1. Téléchargez l'application myQ®.
2. Créez un compte et connectez-vous.

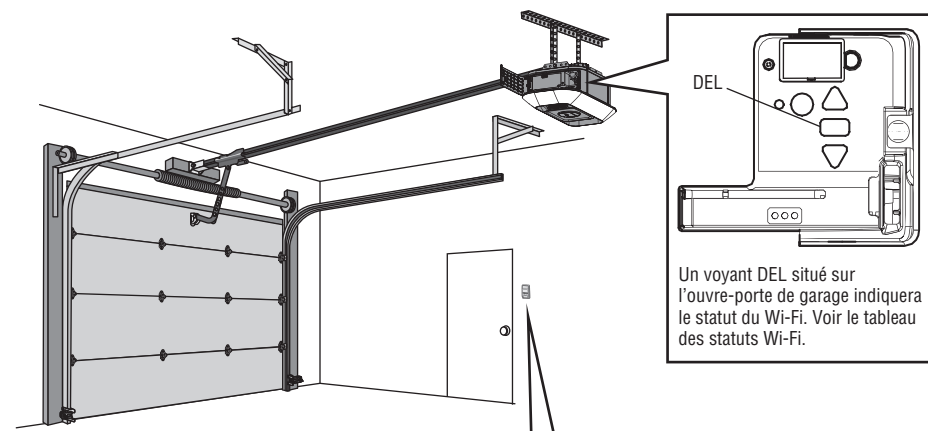
Si vous avez déjà installé l'application myQ® :

1. Vérifiez que votre appareil mobile dispose des versions les plus à jour des logiciels.
2. Téléchargez la dernière version de l'application myQ®.

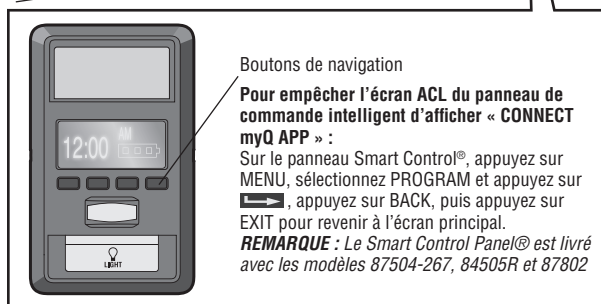


Pour plus d'information sur la connexion de votre ouvre-porte de garage, consultez le site suivant support.chamberlaingroup.com.

| Statut Wi-Fi | |
|--------------|--|
| DEL | Définition |
| Bleu | Lumière éteinte - Le Wi-Fi® n'est pas activé. Lumière clignotante - L'ouvre-porte de garage est en mode d'apprentissage Wi-Fi®. Allumé en continu - L'appareil mobile est connecté à l'ouvre-porte de garage. |
| Bleu et Vert | Clignotant - Tentative de connexion au routeur. |
| Vert | Clignotant - Tentative de connexion au serveur Internet. Lumière continue - Le Wi-Fi® a été configuré et l'ouvre-porte de garage est connecté à Internet. |



Un voyant DEL situé sur l'ouvre-porte de garage indiquera le statut du Wi-Fi. Voir le tableau des statuts Wi-Fi.



Google Play et le logo Google Play sont des marques de commerce de Google LLC.
L'App Store et les logos Apple et App Store sont des marques commerciales d'Apple Inc.

Programmation

Télécommande

Télécommande préprogrammée incluse, pas besoin de la programmer.

Pour ajouter ou reprogrammer une télécommande, suivez les instructions ci-dessous.

Programmation à l'aide du bouton LEARN (apprentissage) de l'ouvre-porte de garage

1. Appuyez et relâchez le bouton LEARN sur l'ouvre-porte de garage.
2. Appuyez et maintenez le bouton de la télécommande que vous voulez utiliser. Relâchez le bouton lorsque les lumières de l'ouvre-porte de garage clignotent ou que vous entendiez deux clics.

Programmation à l'aide du Smart Control Panel®

Sélectionnez Menu > Program (programmer) > Remote (télécommande) et suivez les instructions à l'écran.

Programmation à l'aide du panneau de commande multifonctions ou à détection de mouvement

1. Appuyez sur le bouton LEARN (apprentissage) sur la commande de la porte pour entrer dans le mode de programmation.
2. Appuyez à nouveau sur le bouton LEARN (apprentissage); le voyant à DEL de la commande clignotera une fois.
3. Appuyez sur le bouton de la télécommande que vous voulez utiliser pour faire fonctionner votre porte de garage.

Entrée sans clé sans fil

Reportez-vous aux instructions fournies avec votre entrée sans clé OU allez sur LiftMaster.com pour télécharger les instructions.

HomeLink®

Si votre véhicule est muni HomeLink®, vous aurez peut-être besoin d'un Compatibility Bridge™ (non compris). Visitez bridge.liftmaster.com pour savoir si vous avez besoin d'un Bridge (pont).

Pour effacer la mémoire

Effacez toutes les télécommandes et les entrées sans clés.

Appuyez sur le bouton LEARN (apprentissage) et maintenez-le enfoncé jusqu'à ce que le voyant à DEL s'éteigne (environ 6 secondes).

Toutes les télécommandes et les entrées sans clé sont maintenant effacées.

Effacez TOUS les dispositifs (y compris les accessoires compatibles myQ®)

1. Appuyez sur le bouton LEARN (apprentissage) et maintenez-le enfoncé jusqu'à ce que le voyant à DEL s'éteigne (environ 6 secondes).
2. Appuyez immédiatement sur le bouton LEARN et maintenez-le enfoncé jusqu'à ce que ce voyant s'éteigne. Tous les codes sont maintenant supprimés.

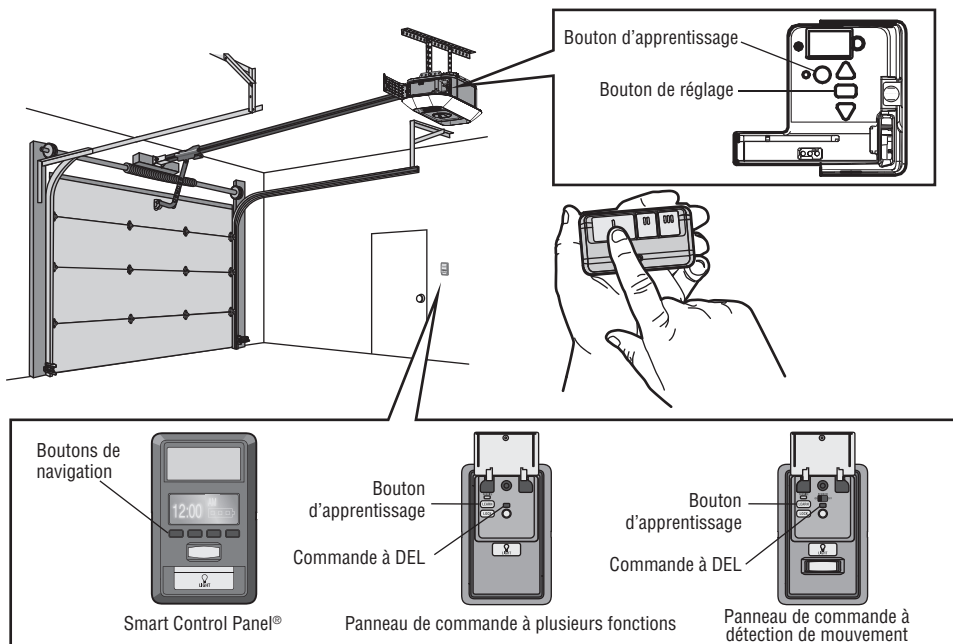
Effacez le réseau Wi-Fi de l'ouvre-porte de garage

Appuyez sur le bouton de réglage et maintenez-le enfoncé jusqu'à ce que vous entendiez 3 bips (environ 6 secondes).

Effacer les réglages de la caméra - Modèles 84505R et 87504-267

Appuyez et maintenez le bouton de réinitialisation (RESET) sur le côté de la caméra pendant 10 secondes. Le voyant à DEL s'éteindra puis clignotera en rouge.

Vous devrez régler votre caméra à nouveau après l'avoir réinitialisée.



Caméra

Configuration de la caméra

Modèles 84505R et 87504-267 seulement

1. Téléchargez l'application myQ® et créez votre compte si vous ne l'avez pas encore fait. Voir page 6.
2. Suivez les instructions de l'application pour configurer et utiliser la caméra.

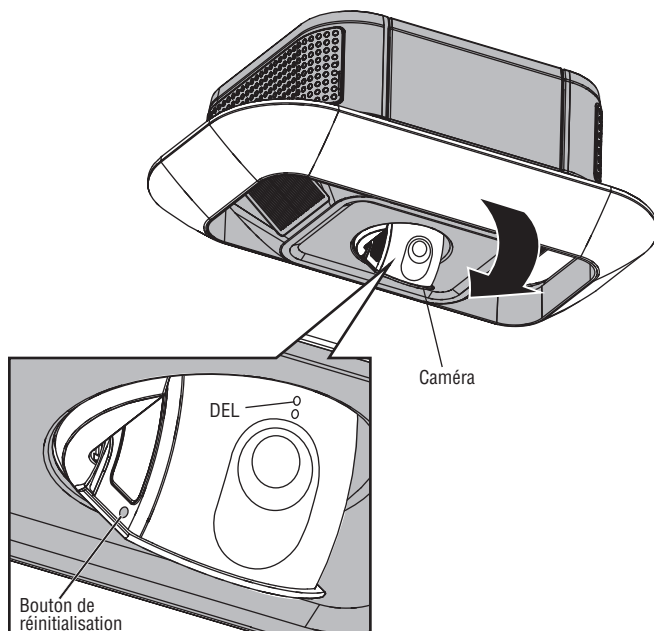
La caméra s'allume lorsqu'elle est ouverte et s'éteint lorsqu'elle est fermée. Une DEL sur la caméra en indique son état. Consultez le tableau décrivant les statuts de la caméra.

Pour plus d'information sur l'utilisation de la caméra, visitez support.chamberlaingroup.com.

REMARQUES :

L'application myQ® et la caméra NE FONCTIONNENT PAS si l'ouvre-porte de garage fonctionne sur batterie.

Pour effacer les paramètres de la caméra de l'ouvre-porte, voir 7.



| État de la caméra | |
|-------------------------|--|
| DEL | Définition |
| Bleu clignotant | La caméra tente de se connecter à l'appareil mobile. |
| Bleu | La caméra est connectée à l'appareil mobile. |
| Bleu et vert clignotant | La caméra tente de se connecter au routeur. |
| Vert clignotant | La caméra est connectée au routeur et essaie de se connecter au serveur myQ® server. |
| Vert | La caméra est connectée et fonctionne normalement. |
| Blanc | La caméra s'allume. |
| Rouge clignotant | La caméra surchauffe. |
| Violet clignotant | Le micrologiciel de la caméra est en cours de mise à jour. |

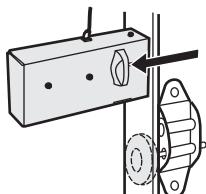
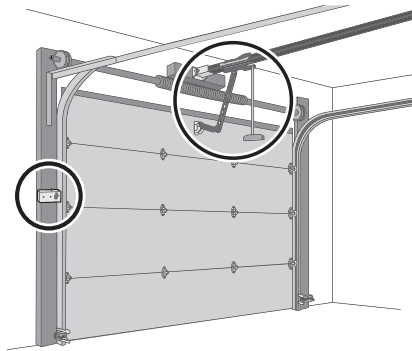
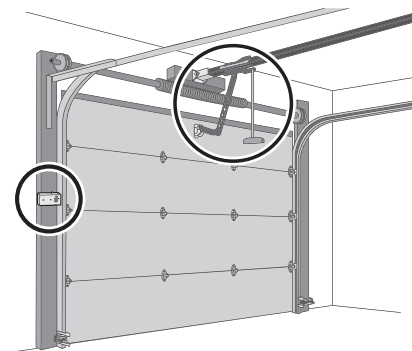
Fonctionnement

Pour ouvrir la porte manuellement

AVERTISSEMENT

Pour éviter d'éventuelles BLESSURES GRAVES voire MORTELLES causées par une porte de garage qui tombe :

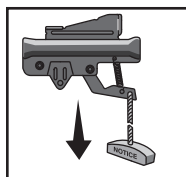
- Dans la mesure du possible, utilisez UNIQUEMENT la poignée de déclenchement d'urgence pour désengager le chariot lorsque la porte du garage est FERMÉE. Des ressorts faibles ou cassés, ou une porte déséquilibrée peuvent entraîner une chute rapide et/ou inattendue d'une porte ouverte.
- N'utilisez JAMAIS la poignée de déclenchement d'urgence avant que toutes les personnes et les obstacles aient été retirés du trajet qu'elle suivra.
- N'utilisez JAMAIS la poignée pour ouvrir ou fermer la porte. Si le nœud de la corde se défait, vous risquez de tomber.



Modèle 87802 seulement
Désengagez le verrouillage automatique de la porte de garage avant d'ouvrir cette dernière manuellement (si installé).

REMARQUE : Désactivez toutes les serrures avant de procéder.

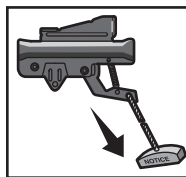
1. Si possible, la porte devrait être fermée complètement.
2. Tirez sur la poignée de déverrouillage d'urgence.



Fonction de verrouillage

1. Tirez sur la poignée de déverrouillage d'urgence. La porte de garage peut alors être levée et abaissée manuellement selon les besoins.
2. Pour désengager le dispositif de verrouillage, tirez la poignée vers le bas.

Le chariot se réengagera automatiquement dès que lorsque l'ouvre-porte de garage sera activé.



Batterie de secours

Modèles 84602, 87504R-267 et 87802

La batterie de secours permet d'entrer et de sortir de votre garage, même en cas de panne de courant. Lorsque l'ouvre-porte de garage fonctionne sur batterie, il fonctionne plus lentement et les lumières, la minuterie de fermeture et les fonctions de fermeture à distance (myQ® App) sont désactivées. En mode batterie de secours, la serrure automatique de porte de garage se déverrouille lorsque la porte de garage est ouverte et reste désactivée jusqu'à ce que le courant soit rétabli. En cas de panne de courant, la batterie peut assurer le fonctionnement pendant une durée maximale de 24 heures. Pour une durée de vie maximale de la batterie et pour éviter tout dommage, débranchez la batterie lorsque l'ouvre-porte de garage est débranché pendant une période prolongée.

Voyant DEL vert : Tous les systèmes sont normaux.

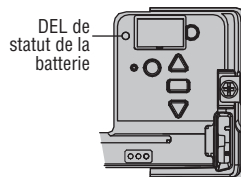
- Un voyant DEL vert indique que la batterie est entièrement chargée.
- Un voyant DEL vert clignotant indique que la batterie est en cours de chargement.

Le voyant DEL de la batterie est orange : L'ouvre-porte de garage a perdu de l'énergie et est en mode de secours par batterie.

- Le voyant à DEL orange, lorsque le moteur est en marche, indique que l'ouvre-porte de garage fonctionne sur batterie.
- Un voyant à DEL orange clignotant, lorsque le moteur est en marche, indique que la batterie est faible.

Le voyant DEL de la batterie est rouge : La batterie 12 V de l'ouvre-porte de garage doit être remplacée.

- Un voyant rouge indique que la batterie ne peut plus être rechargée.



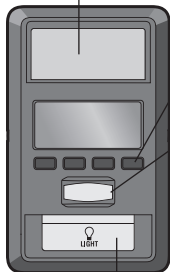
Fonctionnement

Commandes de porte

Smart Control Panel® 880LMW - Modèles 87504-267 et 87802

Barre de poussée :

Ouvrez/fermez la porte du garage.




Bouton d'éclairage

Boutons de navigation :

Menu d'accès :

Configuration de l'horloge, Minuterie de fermeture, Verrouillage, Programme, Température, Langue, Réglages de la luminosité, Réglage du contraste, Système d'alerte de maintenance et Configuration Wi-Fi.

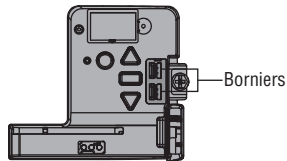
Capteur de mouvement

Suggestion : Pour empêcher l'écran ACL du Smart Control Pannel d'afficher « CONNECT myQ APP » : Sur le panneau Smart Control®, appuyez sur MENU, sélectionnez PROGRAM et appuyez sur , appuyez sur BACK, puis appuyez sur EXIT pour revenir à l'écran principal.

Serrure automatique de porte de garage

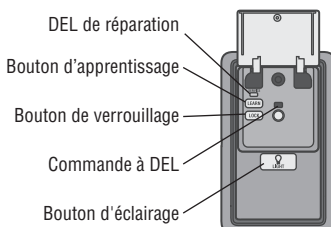
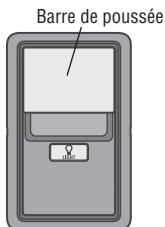
Modèle 87802 seulement

Le modèle 87802 est compatible avec la serrure automatique de porte de garage (modèle 841LM). **REMARQUE :** En mode batterie de secours, la serrure automatique de porte de garage se déverrouille lorsque la porte de garage est ouverte et reste désactivée jusqu'à ce que le courant soit rétabli. Lorsque le courant est rétabli, la serrure reste désactivée jusqu'à ce que l'ouvre-porte termine un cycle et atteigne à nouveau la limite de fermeture.

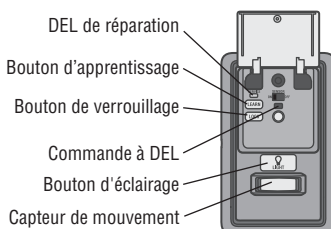
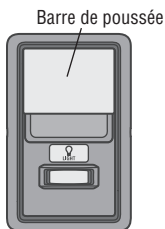


Panneau de commande multi-fonctions

882LMW - Modèles 84501 et 84505R



Panneau de commande à détection de mouvement 886LMW - Modèle 84602



Fonctionnement

Protector System® (capteurs d'inversion de sécurité)

AVERTISSEMENT

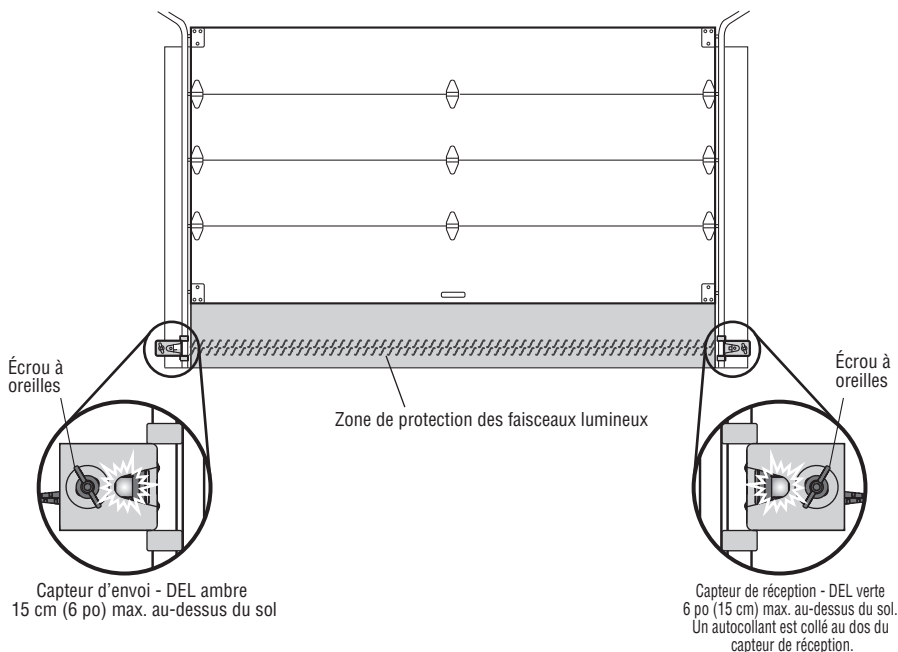
Vérifiez que l'alimentation n'est PAS connectée à l'ouvre-porte de garage AVANT d'installer le capteur d'inversion de sécurité. Pour éviter des BLESSURES GRAVES voire MORTELLES en fermant la porte de garage :

- Raccordez et alignez correctement le capteur d'inversion de sécurité. Ce dispositif de sécurité requis NE DOIT PAS être désactivé.
- Installez le capteur d'inversion de sécurité de sorte que le faisceau ne soit PAS à une HAUTEUR SUPÉRIEURE à 15 cm (6 po) du sol du garage.

La porte ne se fermera pas si les capteurs n'ont pas été installés et alignés correctement.

Lorsque le faisceau lumineux est obstrué ou mal aligné pendant la fermeture de la porte, celle-ci s'inverse. Si la porte est déjà ouverte, elle ne se ferme pas.

Les capteurs peuvent être alignés en desserrant les écrous à oreilles, alignant les capteurs et resserrant les écrous à oreilles. Vérifiez que les voyants à DEL des deux capteurs sont allumés en permanence. Les DEL des deux capteurs s'allument en permanence si elles sont alignées et câblées correctement.



Si l'un des voyants à DEL du capteur est éteint, le capteur n'est pas alimenté :

1. Vérifiez que l'ouvre-porte de garage est alimenté en électricité.
2. Vérifiez que le fil du capteur n'est pas court-circuité ou cassé.
3. Vérifiez que les capteurs sont correctement câblés; les fils blancs sur la borne blanche et les fils blancs/noirs sur la borne grise.

Si le voyant à DEL vert du capteur de réception clignote, les capteurs sont obstrués ou mal alignés :

1. Vérifiez que le faisceau lumineux du capteur n'est pas obstrué.
2. Alignez les capteurs.
3. Si le capteur de réception (DEL verte) fait face à la lumière directe du soleil, placez les capteurs sur des côtés opposés de la porte pour assurer un bon fonctionnement.

Réglage

Introduction

AVERTISSEMENT

Si le capteur d'inversion de sécurité n'est pas installé correctement, les personnes (en particulier les jeunes enfants) peuvent SUBIR DES BLESSURES GRAVES voire MORTELLES par une porte de garage qui se ferme.

- Un réglage incorrect des limites de déplacement de la porte de garage empêchera le bon fonctionnement du système d'inversion de sécurité.
- Après TOUT réglage, le système d'inversion de sécurité DOIT être testé. La porte DOIT s'inverser au contact d'un objet d'une hauteur de 3,8 cm (1-1/2 po) (ou un 2x4 posé à plat) sur le sol.

ATTENTION

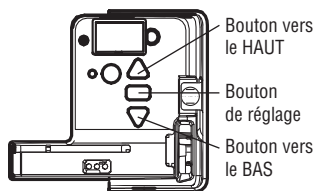
Pour éviter d'endommager les véhicules, assurez-vous que la porte complètement ouverte offre un espace suffisant.

L'ouvre-porte de votre garage est conçu avec des commandes électroniques pour faciliter la configuration et les réglages. Les réglages vous permettent de programmer l'endroit où la porte s'arrêtera en position ouverte (HAUTE) et fermée (BASSE). Les commandes électroniques détectent la quantité de force nécessaire pour ouvrir et fermer la porte. La force est ajustée automatiquement lorsque vous programmez le déplacement. Pendant la programmation de la course, les boutons fléchés vers le HAUT et le BAS peuvent être utilisés pour déplacer la porte selon les besoins. Pendant la configuration de la force automatique, la porte s'ouvre et se ferme automatiquement.

REMARQUE : Si quelque chose interfère avec la course de la porte vers le haut, elle s'arrête. Si quelque chose interfère avec la descente de la porte, celle-ci s'inverse.

Bouton de programmation

Les boutons de programmation sont situés sur le panneau latéral de l'ouvre-porte de garage et sont utilisés pour programmer le déplacement. Pendant la programmation, les boutons fléchés vers le HAUT et le BAS peuvent être utilisés pour déplacer la porte selon vos besoins.



Réglage

1 - Programmez le déplacement

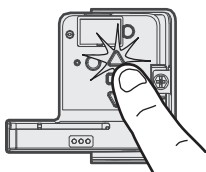
AVERTISSEMENT

Si le capteur d'inversion de sécurité n'est pas installé correctement, les personnes (en particulier les jeunes enfants) peuvent SUBIR DES BLESSURES GRAVES voire MORTELLES par une porte de garage qui se ferme.

- Un réglage incorrect des limites de déplacement de la porte de garage empêchera le bon fonctionnement du système d'inversion de sécurité.
- Après TOUT réglage, le système d'inversion de sécurité DOIT être testé. La porte DOIT s'inverser au contact d'un objet d'une hauteur de 3,8 cm (1-1/2 po) (ou un 2x4 posé à plat) sur le sol.

Remarque : Pendant la programmation de la course, les boutons fléchés vers le HAUT et le BAS peuvent être utilisés pour déplacer la porte selon les besoins. Pendant la configuration de la force automatique, la porte s'ouvre et se ferme automatiquement.

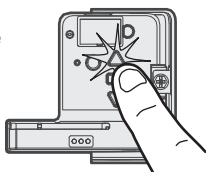
1 Appuyez sur le bouton de réglage et maintenez-le enfoncé jusqu'à ce que le bouton UP commence à clignoter et/ou qu'un bip se fasse entendre. Les capteurs d'inversion de sécurité seront déconnectés pendant le processus de programmation du déplacement.



2 Appuyez et maintenez le bouton fléché vers le HAUT jusqu'à ce que la porte soit dans la position HAUTE souhaitée.



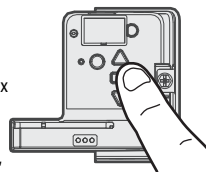
3 Lorsque la porte est dans la position HAUTE souhaitée, appuyez et relâchez le bouton de réglage. Les lumières de l'ouvre-porte de garage clignoteront deux fois et le bouton fléché vers le BAS commencera à clignoter.



4 Appuyez et maintenez le bouton fléché vers le BAS jusqu'à ce que la porte soit dans la position BASSE souhaitée.



5 Lorsque la porte est dans la position BASSE souhaitée, appuyez et relâchez le bouton de réglage. Les lumières de l'ouvre-porte de garage clignoteront deux fois. Le programme du déplacement est maintenant terminé. Si les lumières de l'ouvre-porte de garage clignotent 5 fois, la programmation est terminée et les limites de déplacement n'ont pas été réglées. Veuillez redémarrer le processus de la programmation du déplacement.



2 - Réglage de la force automatique

Lorsque les positions de montée et de descente ont été réglées manuellement, les capteurs d'inversion de sécurité se reconnectent et deviennent opérationnels. L'ouvre-porte entre ensuite dans une opération de détection de force en déplaçant automatiquement la porte pour l'ouvrir et la fermer. L'ouvre-porte de garage émet une alerte sonore et visuelle avant d'ouvrir et de fermer automatiquement la porte. L'ouvre-porte de garage émettra trois bips, confirmant que la configuration de la force automatique s'est déroulée avec succès. Le réglage est terminé.

Si vous entendez un long bip après que la porte ait tenté de se déplacer, cela signifie que le réglage de la force automatique ne s'est pas déroulé correctement. Veuillez recommencer à l'étape 1 de Programmez le déplacement.



Réglage

3 - Testez le système d'inversion de sécurité

! AVERTISSEMENT

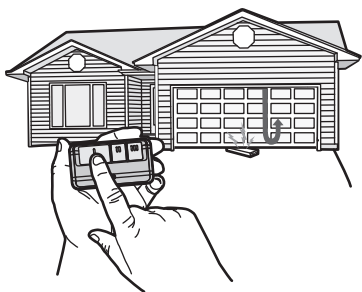
Si le capteur d'inversion de sécurité n'est pas installé correctement, les personnes (en particulier les jeunes enfants) peuvent SUBIR DES BLESSURES GRAVES voire MORTELLES par une porte de garage qui se ferme.

- Le système d'inversion de sécurité DOIT être testé tous les mois.
- Après TOUT réglage, le système d'inversion de sécurité DOIT être testé. La porte DOIT s'inverser au contact d'un objet de 3,8 cm (1-1/2 po) de haut (ou 2x4 posé à plat) sur le sol.

1 La porte étant complètement ouverte, placez une planche de 3,8 cm (1 1/2 po) ou un 2x4 posé à plat sur le sol, centré(e) sous la porte du garage.



2 Appuyez sur le bouton poussoir de la télécommande pour fermer la porte. La porte DOIT s'inverser lorsqu'elle entre en contact avec la planche.



Si la porte s'arrête mais ne se réouvre pas :

1. Répétez la programmation du déplacement (voir l'étape de réglage 1);
2. Répétez le test d'inversion de sécurité.

Si le test continue d'échouer, appelez un technicien qualifié en systèmes de portes.

4 - Testez le Protector System®

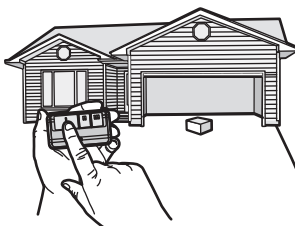
! AVERTISSEMENT

Si le capteur d'inversion de sécurité n'est pas installé correctement, les personnes (en particulier les jeunes enfants) peuvent SUBIR DES BLESSURES GRAVES voire MORTELLES causées par une porte de garage qui se ferme.

1 Ouvrez la porte. Placez un obstacle sur le chemin de la porte.



2 Appuyez sur le bouton poussoir de la télécommande pour fermer la porte. La porte ne bougera pas de plus d'un pouce (2,5 cm).



L'ouvre-porte de garage ne se fermera pas à partir d'une télécommande si le témoin lumineux de l'un ou l'autre des capteurs est éteint (ce qui vous avertit du fait que le capteur est mal aligné ou obstrué).

Si l'ouvre-porte de garage ferme la porte lorsque le capteur d'inversion de sécurité est obstrué (et que les capteurs ne sont pas à plus de 15 cm [6 po] du sol), appelez un technicien qualifié en systèmes de portes.

Maintenance

Tous les mois

- Faites fonctionner la porte manuellement. Si elle est déséquilibrée ou pliée, appelez un technicien qualifié en systèmes de porte.
- Vérifiez que la porte ouvre et ferme au complet. Effectuez l'ajustement, au besoin, voir la page 13.
- Faites un test pour vérifier le système d'inversion de sécurité. Effectuez l'ajustement, au besoin, voir la page 1.

Tous les ans

- Huiliez les rouleaux, les roulements et les charnières de porte. L'ouvre-porte de garage ne nécessite pas davantage de lubrification. N'appliquez pas de la graisse sur les rails de la porte.
- (si applicable) Testez la batterie de secours et songez à la remplacer pour vous assurer que l'ouvre-porte de garage fonctionnera en cas de panne d'électricité.
 - Débranchez l'ouvre-porte de garage de l'alimentation secteur. Le voyant DEL d'état de la batterie s'allume en orange fixe, indiquant que l'ouvre-porte fonctionne sur la batterie, ou clignote pour indiquer que la batterie est faible.
 - Ouvrez et fermez la porte à l'aide de la télécommande ou de la commande de porte.
 - En mode batterie de secours, la serrure automatique de porte de garage se déverrouille lorsque la porte de garage est ouverte et reste désactivée jusqu'à ce que le courant soit rétabli.
 - Branchez l'ouvre-porte du garage. Vérifiez que la DEL de la batterie clignote en vert, indiquant que la batterie est en cours de chargement.

Pile de la télécommande

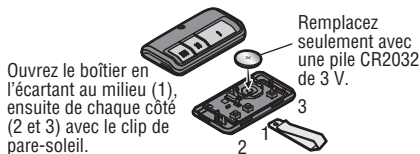
AVERTISSEMENT

Pour éviter d'éventuelles BLESSURES GRAVES voire MORTELLES :

- Ne laissez JAMAIS de jeunes enfants s'approcher des piles.
- En cas d'ingestion de la pile, prévenez immédiatement un médecin.

Pour réduire les risques d'incendie, d'explosion ou de brûlures chimiques respectez ce qui suit :

- Utilisez SEULEMENT des piles CR2032 de 3 V pour remplacer.
- Ne rechargez, démontez, chauffez PAS à plus de 100 °C (212 °F) et n'incinerez PAS.



Dépannage

Vous trouverez ci-dessous des conseils de dépannage de base. Pour obtenir une aide supplémentaire et des vidéos d'assistance, visitez le site support.liftmaster.com ou contactez votre revendeur d'installation.

L'ouvre-porte de mon garage ne se ferme pas :

Vérifiez que les voyants à DEL des deux capteurs sont allumés en permanence. Les DEL des deux capteurs s'allument en permanence si elles sont alignées et câblées correctement. Voir la page 1.

Le système Homelink® de mon véhicule ne se programme pas avec l'ouvre-porte de mon garage :

Selon la marque, le modèle et l'année de votre véhicule, vous aurez peut-être besoin d'un adaptateur externe. Visitez www.homelink.com pour obtenir des renseignements supplémentaires.

Mon ouvre-porte de garage émet des bips :

L'ouvre-porte de garage peut émettre des bips pour plusieurs raisons :

- L'ouvre-porte détecte une obstruction pendant le déplacement.
- L'ouvre-porte de garage a été activé par un dispositif ou une fonction telle que la minuterie de fermeture, le moniteur de porte de garage ou le LiftMaster Internet Gateway.

La télécommande de mon voisin ouvre ma porte de garage :

Effacez la mémoire de votre ouvre-porte de garage et reprogrammez la ou les télécommandes.

La porte bouge de 15 à 20 cm (6 à 8 po), s'arrête ou remonte.

- Ouvrez et fermez manuellement la porte. Il est possible que la porte du garage soit bloquée ou qu'il y ait une obstruction. Si la porte se bloque, appelez un technicien qualifié en systèmes de portes.
- Défaillance possible du module de déplacement.

Ma télécommande n'active pas la porte de garage :

Vérifiez que la fonction de verrouillage n'est pas activée sur la commande de la porte ou reprogrammez la télécommande.

La commande de porte murale ne fonctionne pas :

Les fils de la commande de la porte sont court-circuités ou la commande de la porte fait défaut.

L'ouvre-porte de garage bourdonne pendant 1 à 2 secondes sans mouvement, et 5 clignotements et 5 bips se produisent :

Ouvrez et fermez manuellement la porte. Il est possible que la porte du garage soit bloquée ou qu'il y ait une obstruction. Si la porte se bloque, appelez un technicien qualifié en systèmes de portes.

Impossible de connecter l'ouvre-porte de garage au réseau Wi-Fi domestique :

Assurez-vous que le numéro de série de myQ® est saisi correctement et essayez à nouveau. Les caractères de myQ® sont de A à F et 0 à 9 seulement.

Ma caméra ne se connecte pas au routeur :

- Rapprochez votre routeur de l'ouvre-porte de garage pour minimiser les interférences avec les murs et autres objets.
- Achetez un prolongateur de portée Wi-Fi.

Pour les problèmes avec la caméra, appuyez et maintenez le bouton de réinitialisation sur la caméra pendant 10 secondes. Suivez ensuite les instructions de l'application myQ® pour régler la caméra.

Pour obtenir du dépannage pour la serrure optionnelle automatique pour la porte de garage modèle 841LM, voir les instructions fournies avec celle-ci.

Guide de sécurité et d'entretien de l'ouvre-porte de garage automatique

Sécurité de l'ouvre-porte de garage - Une décision automatique

La porte de garage est le plus grand objet mobile d'une maison. Le réglage inapproprié de la porte de garage et de l'ouvre-porte peut entraîner une force mortelle lorsque la porte ferme, ce qui pourrait faire en sorte qu'un enfant ou un adulte soit coincé et se solder par des blessures ou la mort.

L'installation, l'utilisation, l'entretien et les tests appropriés de la porte de garage et de l'ouvre-porte appropriés sont nécessaires pour avoir un système sécuritaire et sans problème. Une utilisation imprudente ou permettre à des enfants de jouer avec les commandes de l'ouvre-porte ou de l'utiliser sont également des situations dangereuses qui peuvent mener à des conséquences tragiques. Quelques précautions simples peuvent protéger votre famille et vos amis de blessures possibles. Veuillez examiner les conseils de sécurité et d'entretien qui se trouvent dans le présent guide et le garder pour consultation future. Vérifiez le fonctionnement de votre porte de garage et de votre ouvre-porte pour vous assurer qu'ils fonctionnent de façon sécuritaire et sans problème. Assurez-vous de lire toutes les données importantes sur la sécurité qui se trouvent dans votre manuel d'ouvre-porte, car elles contiennent davantage de détails et d'éléments à prendre en considération que ce qui peut être fournis dans le présent guide.

L'ouvre-porte de garage n'est pas un jouet.

Parlez avec vos enfants de la sécurité relative à la porte de garage et à l'ouvre-porte. Expliquez les dangers de se retrouver coincé sous la porte.



Tenez-vous loin d'une porte en mouvement.



Gardez TOUJOURS les émetteurs et les télécommandes hors de la portée des enfants. Ne laissez pas les enfants jouer avec les émetteurs ou d'autres télécommandes ou les utiliser.



Le bouton poussoir mural doit être hors de portée des enfants, à au moins 1,5 m (5 pieds) de la surface la plus proche et éloigné de toute pièce mobile. Installez et utilisez le bouton à un endroit où vous pouvez clairement voir la porte de garage se fermer.



Gardez la porte en vue jusqu'à ce qu'elle se ferme complètement lorsque vous utilisez le bouton-poussoir ou l'émetteur mural.

L'entretien de routine peut éviter des tragédies

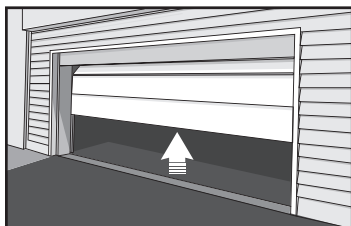
Faites des inspections et des tests de votre porte de garage et votre système d'ouvre-porte tous les mois en tant que partie de votre routine. Relisez le guide de l'utilisateur de la porte ainsi que de l'ouvre-porte. Si vous n'avez pas de guide de l'utilisateur, communiquez avec le fabricant et demandez l'exemplaire pour votre modèle précis. Recherchez le numéro de modèle de votre ouvre-porte au dos du bloc d'alimentation.

⚠ AVERTISSEMENT - Les ressorts sont sous tension élevée. Seules les personnes qualifiées devraient en faire le réglage.



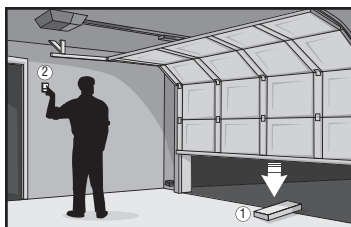
Vérifiez visuellement la porte et l'installation :

- En commençant avec la porte en position fermée, utilisez la déconnexion manuelle sur l'ouvre-porte pour déconnecter la porte.
- Vérifiez s'il y a des signes d'usure ou de dommage sur les charnières, les galets, les ressorts et les panneaux de la porte.
- Ces pièces peuvent nécessiter une lubrification périodique. Consultez le guide du propriétaire pour connaître l'entretien suggéré.
- S'il y a des signes de dommages évidents, communiquez avec un technicien qualifié en systèmes de portes pour obtenir de l'aide.
- Vérifiez que la hauteur de l'œil photo n'est pas supérieure à 6 po du sol du garage.



Effectuez un test de la porte pour vérifier qu'elle fonctionne correctement :

- Ouvrez et fermez manuellement la porte à l'aide des poignées ou de points de prise appropriés.
- La porte devrait bouger librement sans difficulté.
- **La porte doit s'équilibrer et rester partiellement ouverte à 3-4 pieds au-dessus du sol.**
- Si vous détectez des signes de fonctionnement inadéquats, communiquez avec un technicien qualifié en systèmes de porte pour obtenir de l'aide.



Effectuez un test des fonctions de sécurité de l'ouvre-porte :

- Reconnectez l'ouvre-porte à la porte en utilisant la déconnexion manuelle et ouvrez la porte.
- Placez un bloc de 2x4 po à plat dans le chemin de la porte (1) et essayez de la fermer (2). La porte devrait s'arrêter lorsqu'elle entre en contact avec le bloc de 2x4 et remonter.
- Obstruez le capteur photoélectrique en agitant un objet devant le capteur essayez de fermer la porte. La porte ne doit pas se fermer si le bouton-poussoir mural n'est pas maintenu manuellement pendant le fonctionnement.
- Si l'ouvre-porte ne fonctionne pas comme décrit, communiquez avec un technicien qualifié en systèmes de portes pour obtenir de l'aide.



Pièces détachées

Si vous désirez voir les pièces détachées de votre ouvre-porte de garage, identifiez le numéro de modèle sur le panneau d'extrémité de l'ouvre-porte et visitez le site support.chamberlaingroup.com pour télécharger ou imprimer le manuel d'installation.

Garantie

GARANTIE LIMITÉE LIFTMASTER®

LiftMaster® (le « Vendeur ») garantit au premier acheteur au détail que ce produit installé pour la première fois dans sa résidence est sans défaut de matériel, de main-d'œuvre pendant la période précise définie ci-dessous (« Période de la garantie »). La période de garantie commence à partir de la date de l'achat.

| PÉRIODE DE GARANTIE | | | | | | | |
|---------------------|--------|--------|-------------|------------|---------------------|------------------------|------------|
| Modèles | Pièces | Moteur | Accessoires | Courroie | Batterie de secours | Voyants à DEL intégrés | Caméra |
| 84501 | 1 an | À vie | 1 an | À vie | Sans objet | 1 an | Sans objet |
| 84602 | 1 an | À vie | 1 an | Sans objet | 1 an | 1 an | Sans objet |
| 84505R | 1 an | À vie | 1 an | À vie | Sans objet | 1 an | 1 an |
| 87504-267 | 5 ans | À vie | 1 an | À vie | 1 an | 5 ans | 1 an |
| 87802 | 5 ans | À vie | 1 an | À vie | 1 an | 5 ans | Sans objet |

Le bon fonctionnement de ce produit dépend du respect des instructions en ce qui a trait l'installation, le fonctionnement, l'entretien et les tests. Le fait de ne pas se conformer strictement à ces instructions annulera la présente garantie limitée dans son intégralité.

Si, pendant la période de la garantie limitée, ce produit semble présenter un défaut qui est couvert par cette garantie limitée, visitez LiftMaster.com, avant de démonter ce produit. Vous serez avisé des instructions de désassemblage et d'expédition. Vous pourrez ensuite envoyer le produit ou ses pièces en port payé et assuré selon les instructions de notre centre de services pour la réparation sous garantie. Veuillez inclure une brève description du problème et la preuve d'achat comportant une date avec tout produit retourné pour réparation sous garantie. Les produits retournés au Vendeur pour réparation en vertu de la garantie et dont la défectuosité et la couverture de la garantie sont confirmés dès la réception par le Vendeur seront réparés ou remplacés (à l'entière discrétion du Vendeur) sans frais pour vous et retournés en envoi pré-payé. Les pièces défectueuses seront réparées ou remplacées avec des pièces neuves ou remises à neuf à la seule discrétion du vendeur. [Vous êtes responsable de tous les frais encourus pour retirer et/ou réinstaller le produit ou tout composant].

TOUTE GARANTIE TACITE POUR CE PRODUIT, Y COMPRIS SANS S'Y LIMITER, TOUTE GARANTIE TACITE DE QUALITÉ COMMERCIALE ET D'ADAPTATION À UNE QUELCONQUE UTILISATION, EST LIMITÉE À LA DURÉE DE LA GARANTIE LIMITÉE CI-DESSUS POUR LES PIÈCES CONNEXES ET LES GARANTIES NON TACITES EXISTERONT OU SERONT APPLIQUÉES APRÈS CETTE PÉRIODE. Certains États et Provinces ne permettent pas de limiter la durée d'une garantie implicite, de sorte que la limitation ci-dessus peut ne pas s'appliquer à vous. **CETTE GARANTIE LIMITÉE NE COUVRE PAS LES DOMMAGES QUI NE PROVIENNENT PAS DE DÉFAUT, QUI SONT CAUSÉS PAR UNE MAUVAISE INSTALLATION, UTILISATION OU ENTRETIEN (Y COMPRIS SANS S'Y LIMITER À L'ABUS, L'EMPLOI ABUSIF, LE DÉFAUT NE PAS AVOIR EFFECTUÉ L'ENTRETIEN NÉCESSAIRE ET RAISONNABLE, DES RÉPARATIONS NON AUTORISÉES OU TOUTE ALTÉRATION DU PRODUIT), LES FRAIS DE MAIN-D'ŒUVRE POUR LA RÉINSTALLATION D'UN APPAREIL RÉPARÉ OU REMPLACÉ, LES ÉLÉMENTS DE REMPLACEMENT OU DONT LA DURÉE DE VIE EST ACHÉVÉE (P. EX., LES BATTERIES DES TRANSMETTEURS DE LA TÉLÉCOMMANDE) OU DES APPAREILS INSTALLÉS À DES FINS NON RÉSIDENTIELLES. LA PRÉSENTE GARANTIE LIMITÉE NE COUVRE PAS LES PROBLÈMES LIÉS À LA PORTE DE GARAGE OU À LA QUINCAILLERIE DE LA PORTE DE GARAGE, Y COMPRIS, MAIS SANS S'Y LIMITER, LES RESSORTS DE LA PORTE, LES ROULEAUX DE LA PORTE, L'ALIGNEMENT DE LA PORTE OU LES CHARNIÈRES. LA PRÉSENTE GARANTIE LIMITÉE NE COUVRE PAS NON PLUS LES PROBLÈMES CAUSÉS PAR DES INTERFÉRENCES. EN AUCUN CAS, LE VENDEUR NE POURRA ÊTRE TENU RESPONSABLE DES DOMMAGES CONSÉCUTIFS, ACCIDENTELS OU SPÉCIAUX LIÉS À L'UTILISATION OU À L'IMPOSSIBILITÉ D'UTILISER CE PRODUIT. EN AUCUN CAS, LA RESPONSABILITÉ DU VENDEUR EN CAS DE RUPTURE DE GARANTIE, DE RUPTURE DE CONTRAT, DE NÉGLIGENCE OU DE RESPONSABILITÉ STRICTE NE POURRA DÉPASSER LE COÛT DU PRODUIT COUVERT PAR LES PRÉSENTES. PERSONNE N'EST AUTORISÉ À ASSUMER EN NOTRE NOM QUELQUE AUTRE RESPONSABILITÉ RELATIVE AVEC LA VENTE DE CE PRODUIT.**

Certains États et Provinces n'autorisant pas l'exclusion ou la limitation des dommages consécutifs, accessoires ou spéciaux, il est possible que la limitation ou l'exclusion susmentionnée ne s'applique pas à vous. Cette garantie vous donne des droits légaux spécifiques et vous pouvez également avoir d'autres droits, qui varient d'une province à l'autre.