

T (LOGIC 5.0) TROLLEY OPERATOR

SECTION 08 71 13



KEY FEATURES

| | |
|--|---|
| STANDARD APPLICATION | Recommended for standard-lift sectional overhead doors in standard duty-cycle commercial applications |
| RATED DUTY CYCLE | Standard-duty: Up to 25 cycles/hour and up to 90 cycles/day (using continuous-rated motor) |
| OPERATOR SPEED | 11-12 Inches per second |
| LIMIT SETTINGS | Mechanical |
| EMERGENCY DISCONNECT FOR MANUAL OPERATION | Emergency release rope and handle |
| EMERGENCY DISCONNECT WITH AUTO-RECONNECT | Reconnects when tension is removed from emergency release rope |
| PROGRAMMING | Control function selector dial/tactile buttons |
| CIRCUIT BOARD | Solid-state Logic 5.0 circuit board |
| TIMER-TO-CLOSE | Programmable in 1 second and 15 second increments up to 68 minutes, standard |
| CLUTCH | Standard adjustable friction clutch |
| MID-STOP | Programmable |
| RUN TIME PROTECTION | Maximum run timer |
| MOTOR REVERSE ACTION PROTECTION | Delay-on-reverse circuit |
| MOTOR OPERATOR WALL CONTROL | 3-Button Control Station with Maintenance Alert System (MAS) |
| TROLLEY TRACK | Dual L-rail trolley track |
| PUSH BUTTON STATION | 3-Push button station (Open/Close/Stop) |

SPECIFICATIONS

| | |
|-----------------------------|--|
| RADIO RECEIVER | LiftMaster® Security+ 2.0® |
| VOLTAGE CONNECTIONS | Single-phase: 115V/230V dual voltage; 3-phase: 208V/230V/460V dual voltage; 3-phase: 575V single voltage |
| CONTROL CIRCUIT | 5VDC NEC class 2 |
| DRIVE REDUCTION | Belt/chain & pulley; first-stage heavy-duty 5L V-belt; second #41 chain; #48 (for 1/3 and 1/2 HP) and #41 (for 3/4 and 1 HP) output chain on trolley |
| BEARINGS/BUSHINGS | Industrial ball bearings on output shaft; heavy-duty oil-filled bushings on reduction shafts |
| BRAKE | Standard on 3/4 and 1 HP operators: optional on 1/2 HP; not available on 1/3 HP |
| CONSTRUCTION | NEMA 1 type electrical box; heavy-duty 11-gauge steel frame with durable powder coat finish; all reduction sprockets drilled and pinned to shafts |
| TROLLEY ROLLER CHAIN | #48 on 1/3 and 1/2 HP; #41 on 3/4 and 1 HP |
| WARRANTY | 2 years |

INSTALLATION FEATURES

| | |
|---|--|
| MAXIMUM DOOR HEIGHT | 24 feet standard with additional capability* |
| MAXIMUM DOOR WIDTH | 22 feet standard with additional capability* |
| MAXIMUM ALLOWABLE SQUARE FOOTAGE | 640 square feet |
| INTERNET CONNECTIVITY | myQ® Technology enables remote monitoring and control of the commercial door via a smartphone, tablet, or computer** |

This commercial door operator must feature constant pressure to close or be equipped with an external monitored entrapment protection device. Use only LiftMaster monitored entrapment protection devices itemized on the accessory page of the operators installation manual to meet UL 325 requirements.

* Contact us at Specs@LiftMaster.com for additional capabilities.

**LiftMaster Internet Gateway and myQ app required.

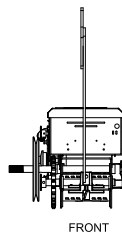
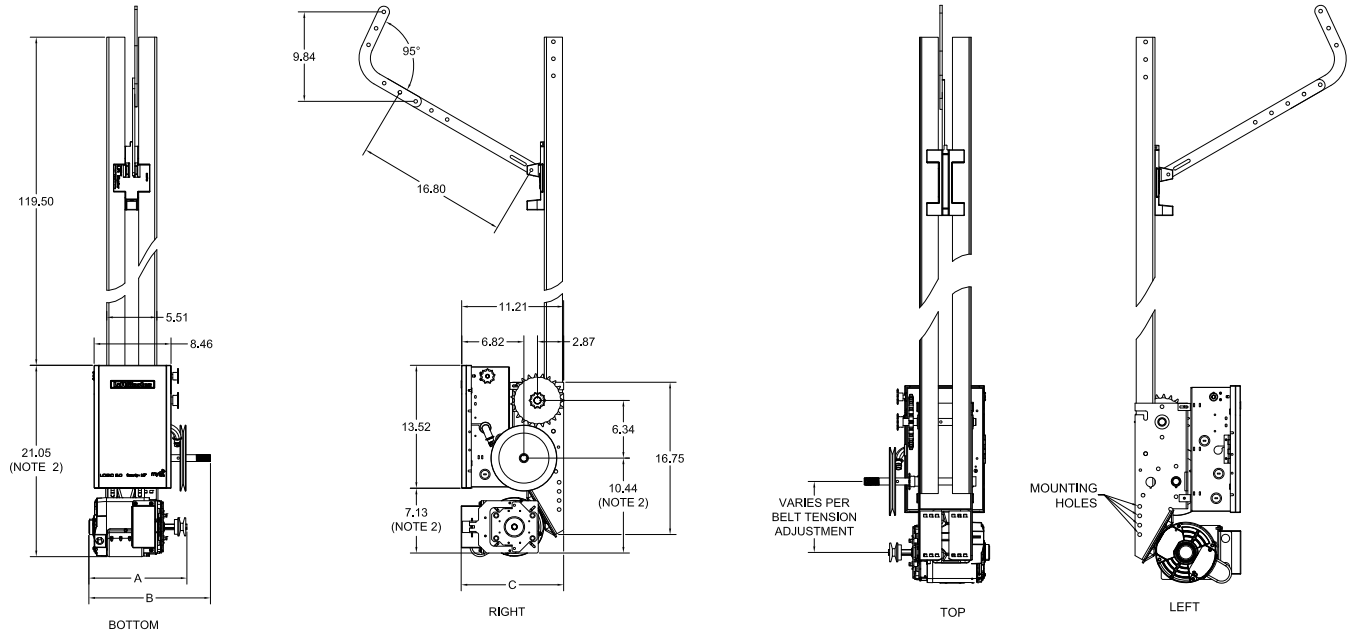
DATA SHEET
TROLLEY OPERATOR

LiftMaster®

T (LOGIC 5.0) TROLLEY OPERATOR

SECTION 08 71 13

DIMENSIONS



| OPERATOR DIMENSION TABLE | | | | |
|--------------------------|-------|------------|-----------|----------|
| HP | PHASE | DIMENSIONS | | |
| | | A | B | C |
| 1/2 | 1 | 10-3/4" | 13-3/8" | (NOTE 2) |
| 3/4 | 1 | 11-9/32" | 13-27/32" | (NOTE 2) |
| 1 | 1 | 11-29/32" | 14-15/16" | (NOTE 2) |
| 1/2 | 3 | 11-5/16" | 13-15/16" | (NOTE 2) |
| 3/4 | 3 | 11-5/16" | 13-15/16" | (NOTE 2) |
| 1 | 3 | 11-5/16" | 13-15/16" | (NOTE 2) |

CAPACITY

| MAXIMUM DOOR AREA (SQ. FT.) | | | | | | |
|-----------------------------|------------|----------------|------------------------|------------------------|------------------------|-----|
| STANDARD SECTIONAL | | 24 ga. Steel | 20 ga. Steel | 16 ga. Steel | | |
| | Fiberglass | Aluminum Doors | Wood Doors | | | |
| | | | 24 ga. Steel Insulated | 20 ga. Steel Insulated | 16 ga. Steel Insulated | |
| HP | 1/3 | 310 | 285 | 260 | 175 | 125 |
| | 1/2 | 400 | 350 | 320 | 250 | 200 |
| | 3/4 | 560 | 500 | 450 | 325 | 275 |
| | 1 | 640 | 625 | 560 | 400 | 310 |

Notes:

1. Dimensions A,B & C may vary per motor manufacturer specification revisions and special modifications to the operator.
2. Dimension will vary per belt tension adjustment approx. "C" dimension is 12/14"

On steel insulated doors, a 24-gauge back panel is assumed. If a heavier back panel is supplied, use the next higher HP rating. Recommended max duty cycles: 25 per hour, up to 90 per day.